

***The Bose® 601™ Series IV Direct/Reflecting® Speaker System***

Owner's Guide



**Declaration of Conformity**

We, the offerer:

Bose® Corporation, The Mountain,  
Framingham, MA 01701-9168 USA

Acknowledge our sole responsibility, that the product:

**Kind of equipment: Loudspeaker**

**Type designation: 601™ Series IV Direct/Reflecting® speaker**

In accordance with EMC Directive 89/336/EEC and  
Article 10 (1) of the Directive,  
is in compliance with the following norm(s) or document(s):

**Technical regulations:  
EN50081-1, EN50082-1**

Accredited by Bose Corporation

1 May 2001

A handwritten signature in black ink, appearing to read 'Nic Merks', enclosed within a simple oval border.

---

Bose Products B.V.  
Nijverheidstraat 8, 1135 GE Edam  
The Netherlands

Nic Merks  
Vice President, Bose Europe  
Manufacturer's authorized EU  
representative

Setting Up . . . . .	4
Introduction . . . . .	4
Unpacking the speakers . . . . .	4
Attaching the speaker grilles . . . . .	4
Placing the speakers . . . . .	5
Choosing the speaker cord . . . . .	5
Running the speaker cord through a wall or under a floor . . . . .	5
Preparing the speaker cord . . . . .	6
Making the connections . . . . .	6
Checking the connections . . . . .	7
For use in home theater . . . . .	7
For rear or surround speakers . . . . .	7
Setting your surround sound receiver or amplifier . . . . .	7
Reference Information . . . . .	8
Troubleshooting . . . . .	8
Technical information . . . . .	9
Customer service . . . . .	9
Cleaning . . . . .	9

**Warranty**

Bose® 601™ Direct/Reflecting® speakers are covered by a limited five-year transferable warranty. Details of the coverage are provided on the warranty card that came with your speakers. Please fill out the information section on your card, detach it, and mail it to Bose.

**For your records**

The serial number is located on the label on the back of each speaker.

Serial numbers: \_\_\_\_\_ and \_\_\_\_\_

Dealer name: \_\_\_\_\_

Dealer phone: \_\_\_\_\_ Purchase date: \_\_\_\_\_

We suggest you keep your sales slip and warranty card together with this owner’s guide.

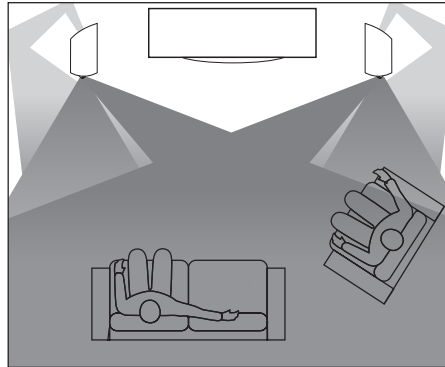
©2001 Bose Corporation. No part of this work may be reproduced, modified, distributed, or otherwise used without prior written permission. All trademarks referenced herein are the property of Bose Corporation.

## Introduction

Your 601™ Direct/Reflecting® speakers re-create a natural balance of reflected and direct sound energy for a lifelike, spacious performance. As with all Bose® products, their design is meant to bring you high-quality concert-like sound.

**Figure 1**

*A natural balance of reflected and direct sound energy.*



## Unpacking the speakers

Carefully unpack the contents of the shipping carton.

- Individually remove each speaker.
- Retain the packaging material for possible future use.
- If either speaker appears damaged, do not use it. Repack both speakers in the original carton and notify your authorized Bose dealer immediately.

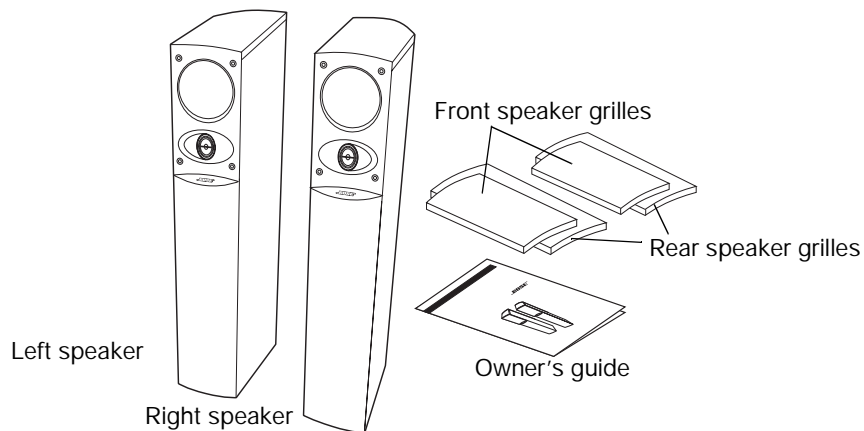
**WARNING:** To avoid danger of suffocation, keep the plastic bags that wrap these speakers out of the reach of children.

**WARNING:** Each speaker weighs 30 lb (13.6 kg). Use good lifting practice to avoid injury.

**Figure 2**

Package contents:

- 1 left speaker
- 1 right speaker
- Owner's guide
- 2 front speaker grilles
- 2 rear speaker grilles



## Attaching the speaker grilles

Each speaker has both a front and a rear protective grille. The rear grille is the larger of the two. To attach these grilles to your speakers, line up the top curve of the grille so that it matches the curve of the speaker. Align the pins on the back of the grille to the mounting holes on the speaker cabinet and gently push the grille straight on.

**CAUTION:** Do not place objects into any opening on the speaker cabinets.

## Placing the speakers

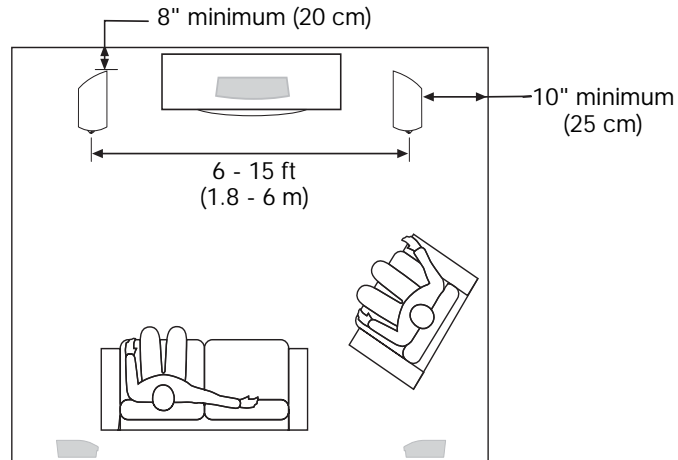
The product label on the back of each speaker indicates LEFT or RIGHT. For best acoustic performance, place the left speaker on the left side as you face your speakers and place the right speaker on the right side.

Keep the speakers 6 - 15 feet (1.8 - 6 m) apart and at least 10 inches (25 cm) from side walls (see Figure 3).

It is important not to block the acoustic components at the rear of each speaker. To avoid this, place each speaker at least 8 inches (20 cm) from the wall behind it.

**Figure 3**

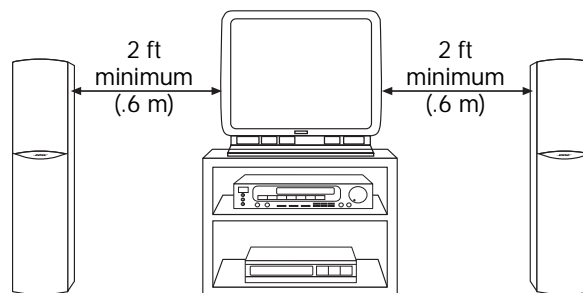
*Ideal speaker placement*



- ♪ **Note:** Bose® 601™ speakers are not intended to hang from walls, or to stand on shelves or tables. They are designed as floor-standing speakers only.
- ⚠ **WARNING:** To prevent personal injury, do not place your speakers in high-traffic areas where they can be accidentally knocked over.
- ♪ **Note:** To prevent interference with your TV picture quality, place each speaker at least 2 feet (.6 m) from your TV screen.

**Figure 4**

*Place each speaker at least 2 feet (.6 m) from your TV screen.*



## Choosing the speaker cord

It is important to use the proper gauge (thickness) of speaker cord. Standard zip cord (2-conductor, 18-gauge or .82 mm<sup>2</sup> wire or larger) is recommended for most applications. You can find this wire at most electrical and hardware stores.

If the length of speaker wire extends more than 20 feet (6 m) from a receiver or amplifier, refer to "Wire recommendations" on page 9 or contact your authorized Bose dealer for more information.

### **Running the speaker cord through a wall or under a floor**

Make sure you have enough cord to reach from the receiver to each speaker. For in-wall installation, check your local building code requirements. Before proceeding, you may want to contact an electrical installer for information about your local building or safety regulations.

## Preparing the speaker cord

Speaker cord consists of two insulated wires. The insulation around one wire is marked (striped, collared, ribbed, or may have writing on it). This marked wire is always positive (+). The plain wire is always negative (-). These wires correspond to the red (+) and black (-) terminals on the speaker, receiver, or amplifier.

🎵 **Note:** It is sometimes difficult to distinguish wire markings. Inspect both wires carefully.

To prepare the ends of the cord, strip approximately  $\frac{3}{8}$  to  $\frac{1}{2}$ -inch (10-12 mm) of insulation from both wires. Then, twist the bare ends of each wire so there are no loose strands of wire.

⚠️ **WARNING:** Never use broken or frayed wire, as damage or electrical shock may result.

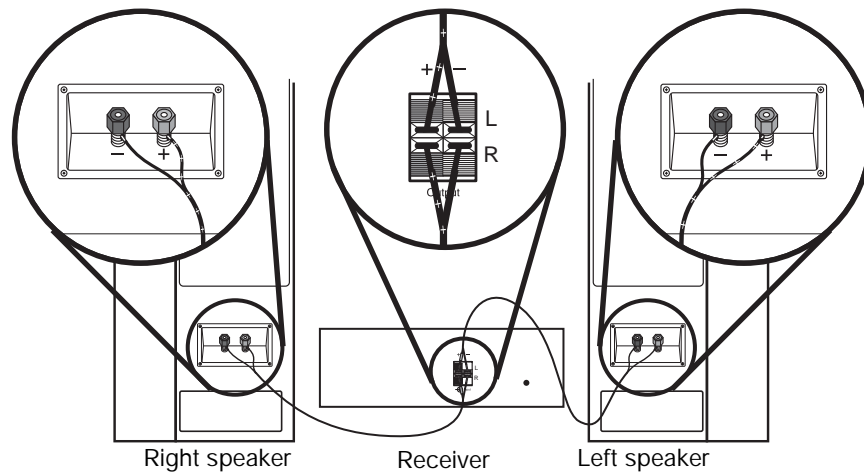
## Making the connections

Connect your speaker wire to the SPEAKERS A or MAIN (front) left and right speaker outputs on your receiver or amplifier. See your receiver owner's guide for any additional information or instructions.

⚠️ **CAUTION:** Before making any connections, turn off your receiver and unplug it from the AC power mains. Failure to do so may result in damage to your system.

**Figure 5**

Wiring schematic



Unscrew the hex knobs on the terminal posts (Figure 5) located on the back of the left (L) speaker. This reveals a small opening through each post where the wire goes.

1. Insert the marked wire into the red (+) terminal. Insert the plain wire into the black (-) terminal.
2. Tighten the knobs to secure the wires.
3. Connect the other ends of the wire to your receiver or amplifier.
  - A. Attach the marked wire at one end to the red (+) terminal.
  - B. Attach the plain wire at that end to the black (-) terminal.
4. Repeat steps 1, 2, and 3 for the right (R) speaker connections.

🎵 **Note:** Now is a good time to record the serial numbers of these speakers on page 3 of this guide and on your warranty card.

## Checking the connections

Check all the connections from the receiver to the left and right speakers. Make sure all the wires are connected in phase (+ to + and - to -).

Correct any wiring problems before you plug in your receiver and turn it on.

**⚠ CAUTION:** 601™ speakers incorporate an automatic protection circuit, which guards against most kinds of damage from electrical stress or overload. This circuit activates at high volume levels to reduce output, causing a slight decrease in volume. You may also notice light coming from inside the speaker cabinet. This is normal operation and indicates that power input may be exceeding safe levels. Sustained listening at these levels is not recommended.

## For use in home theater

Your speakers are fully compatible with all surround sound formats. They may be used as the front left and right main speakers, or in larger more powerful systems as full-range surround channel speakers.

### **For rear or surround speakers**

For use as the rear or surround speakers, connect your speakers to the "Rear" or "Surround" speaker outputs of the receiver or amplifier. For use with digital home theater systems, we recommend trying both "Large" and "Small" settings to determine the best performance with your receiver or amplifier. See your receiver owner's guide for any additional information or instructions.

### **Setting your surround sound receiver or amplifier**

After making the connections, you may try any additional surround sound modes that your receiver may have. These modes may have different names depending on the manufacturer, such as, ACTION, MOVIE, THEATER. Select the settings for music, movies or both that sound best in your listening environment. See your receiver/amplifier owner's guide for additional information on selecting settings.

## Troubleshooting

If you are experiencing problems with your 601™ speakers:

1. Turn off the amplifier or receiver and check all the connections between the speakers and the amplifier or receiver.
2. Check your amplifier or receiver owner's guide, since other components may be the cause of the problem.
3. Use the chart below as troubleshooting guidelines. If this does not solve the problem, contact your authorized Bose® dealer to arrange for service. Refer to the address list enclosed in the product packaging for correct phone numbers.

<b>Problem</b>	<b>Possible cause</b>	<b>How to find out</b>	<b>Solution</b>
One speaker doesn't play, or sounds distorted.	Amplifier or receiver channel, speaker, or speaker wire may be defective.	Switch the LEFT and RIGHT connections on the back of your speakers.	If the previously "broken" speaker now plays properly, and the other one does not, one channel in the amplifier or receiver, or that speaker wire is probably defective. If the original speaker still does not play properly, call Bose or your retailer to arrange for service.
Both speakers do not play, or sound distorted.	Amplifier or receiver may be defective.	Disconnect the amplifier or receiver from the speakers.	Reconnect the speakers to another amplifier or receiver that works properly.
High sound volume drops suddenly.	The automatic protection circuit has activated to protect the speakers from electrical stress or overload.	Lower the volume. If it returns to normal, your speakers' automatic protection circuit caused the sudden drop. This volume reduction protects the speakers from electronic stress and overload.	Return the volume to a reasonable level; avoid extremely high volume settings.
No bass or diminished sound quality.	Wiring may be out-of-phase.	Check connections. They should be in phase (+ to + and - to -).	Adjust connections, if they are out of phase.



## Technical information

### Features

- Direct/Reflecting® speaker technology
- Stereo Everywhere® speaker technology
- Proprietary bass reproduction
- Automatic protection circuitry
- Syncom® computer quality control

### Speaker driver complement

- Two 6½" (16.5 cm) woofers
- One 2" (5.1 cm) ferrofluid tweeter per cabinet

### Compatibility

Compatible with A/V receivers and amplifiers rated from 10 to 200 watts per channel, rated from 4 to 8 ohms.

Power rating: 100 Watts IEC

### Finish

- Graphite gray
- Light cherry

### Dimensions/Weight

32"H x 8"W x 13.75"D (81 cm x 20 cm x 35 cm)

Each speaker weighs 30 lb (13.6 kg)

### Wire recommendations

Based on maximum frequency response deviation of 0.5 dB

<i>Gauge</i>	<i>Length</i>
18 (0.82 mm <sup>2</sup> )	20 ft (6 m) maximum
16 (1.3 mm <sup>2</sup> )	30 ft (9 m) maximum
14 (2.1 mm <sup>2</sup> )	50 ft (15 m) maximum
12 (3.3 mm <sup>2</sup> )	80 ft (24 m) maximum

## Customer service

For additional help in solving problems, contact Bose® customer service. Refer to the address list enclosed in the product packaging for correct phone numbers.

## Cleaning

Wipe the 601™ speaker cabinets using a dry cloth. Do not use solvents or chemicals. Do not allow liquids to spill on, or objects to drop into the speaker grilles. You may vacuum the grilles carefully; the drivers are directly behind the grille cloth. No other maintenance is required.





***BOSE***<sup>®</sup>  
***Better sound through research***<sup>®</sup>

©2004 Bose Corporation  
The Mountain, Framingham, MA 01701-9168 USA  
259438-ENGvo AM Rev.00