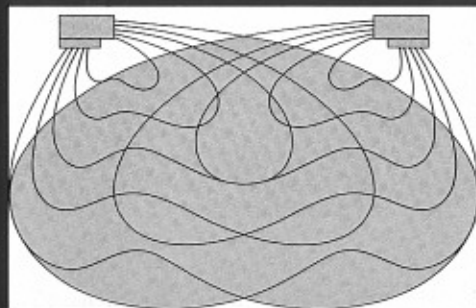


The Bose® 8.2 Stereo Everywhere™ Speaker System



BOSE
Better sound through research.

The Bose® 8.2 Stereo Everywhere™ Speaker System

Before you begin...

We would like to thank you for purchasing Bose speakers. We are confident that our advanced technology and quality construction will provide you with a lifetime of musical listening pleasure.

The operating principles of the Bose 8.2 speaker system are **significantly** different from those of conventional speakers. To obtain the best results, **please take the time to read this owner's manual.**

I. Unpacking the Bose 8.2 System

Your 8.2 system is packed in two separate cartons marked Part 1 (left) and Part 2 (right). Open the cartons from the top and remove all accessible packing material. Then *carefully* lift the speaker from the carton. Save the cartons and all packing materials, as they are ideal shipping containers should the speakers ever need to be transported.

If either speaker appears to be damaged when unpacking, **do not attempt to use it.** Instead, repack the speaker in the original carton and notify your authorized Bose dealer immediately.

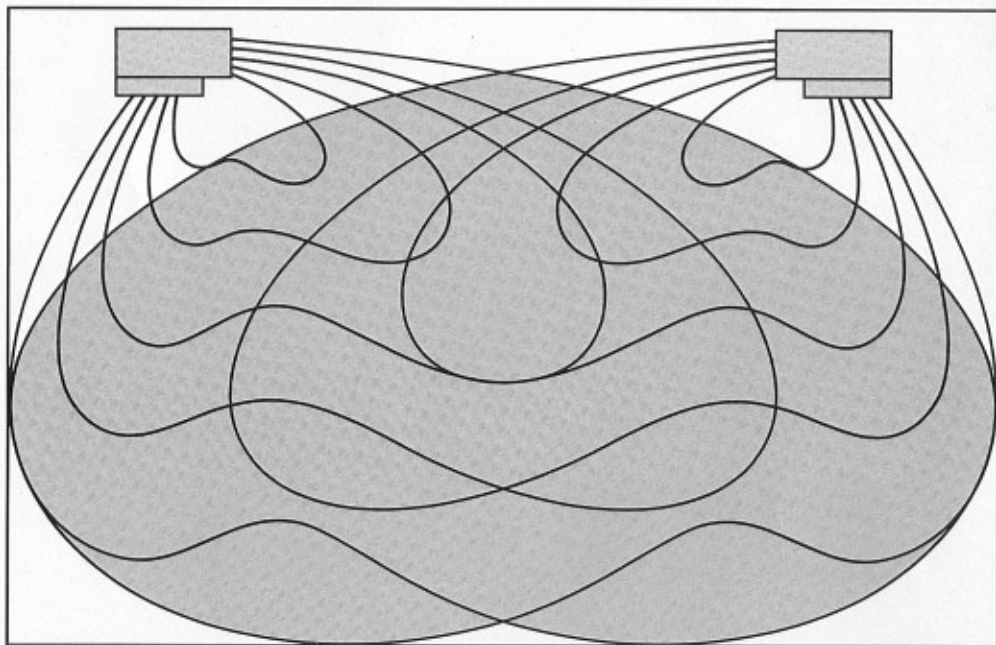


Figure 1A. Stereo Everywhere listening area produced by the Bose 8.2 speaker system.

II. Setting Up the Bose 8.2 Speaker System

Unlike conventional speakers, the Bose 8.2 uses Stereo Everywhere technology to recreate an exceptionally realistic

stereo image. **Refer to Figure 1A and 1B.** It is important to note that there are distinct left and right 8.2 speakers. To obtain optimum performance, follow the directions below.

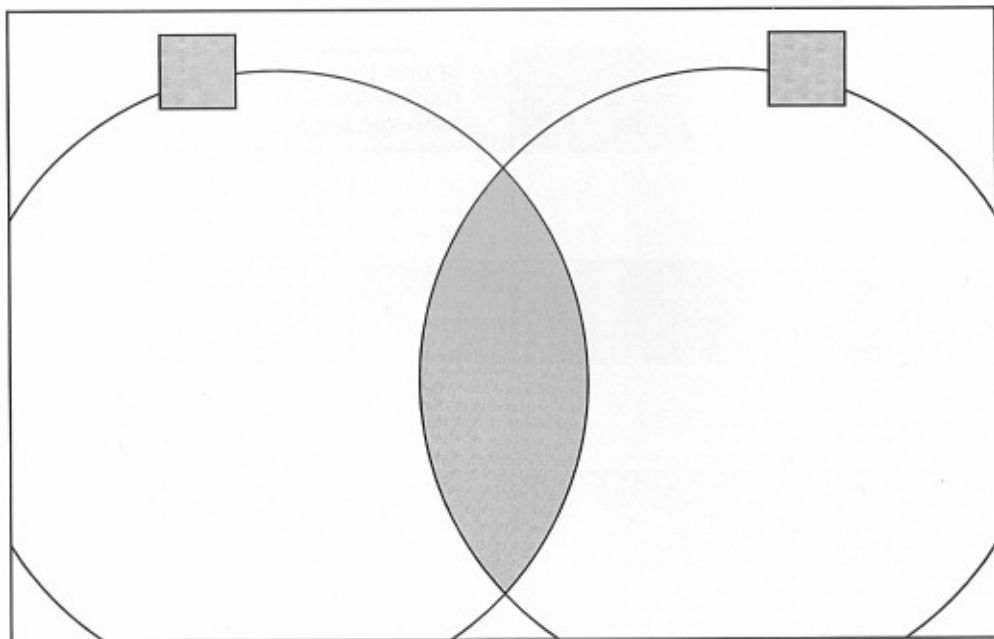


Figure 1B. Stereo listening area produced by conventional speaker systems.

- A. Select the wall where you intend to place your speakers. Imagine that the length of the wall is divided in half, forming two equal parts. Now, divide each separate part in half again. These second wall divisions (equal to $\frac{1}{4}$ of the wall's entire length) are the *approximate* locations for each speaker. However, in most listening rooms separations as great as 12 feet or as small as three feet can still give excellent results. Refer to section IV-B (Room Acoustics) for more information on speaker placement.
- B. Once you have selected your speaker locations, place the left speaker (Part 1) on the left and the right speaker (Part 2) on the right side.
- C. Please note that the Bose® 8.2 has a bass port located in the rear of the cabinet. For best bass performance, the speaker should stand from $\frac{1}{2}$ inch to 2 inches from the wall behind it. However, if less bass is desired, you can increase this distance.
- D. Make sure that your speakers are at least 12 inches away from the room's side walls, to ensure an accurate stereo image.

The Bose® 8.2 Stereo Everywhere™ Speaker System

III. Connecting the Bose 8.2 Speaker System

We recommend using standard zipcord, the wire most commonly carried by audio dealers and electrical stores. 18 gauge zipcord is adequate for lengths up to 30 feet per speaker. Heavier gauges (12 to 14) should be used for anything over this distance.

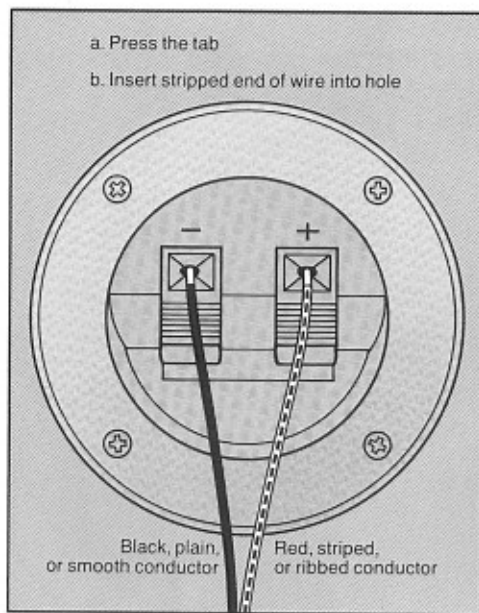


Figure 2. Connecting the speakers.

- Measure the amount of wire required for each speaker and cut it accordingly. If possible, try to maintain roughly the same amount of wire on both speakers.
- Slightly separate the conductors at the end of each wire. Strip off approximately $\frac{1}{2}$ inch (12 mm) of insulation from each conductor.
- Examine the wire ends carefully. There will be some visible difference between the two conductors. If the wire is color coded, one side may be silver and the other copper. Or, if the wire is not color coded, then one side will be ribbed or striped. In any event, **consider the ribbed, striped, or copper side to be positive (+). The remaining side (plain, smooth, or silver) is negative (-).**
- Locate the speaker terminals on the rear of the Part 1 (left) speaker. Connect the positive side of the wire to the (+) red terminal, and the negative side of the wire to the (-) black terminal. **Refer to Figure 2.**

E. Next, make sure your receiver or amplifier is switched "off" and unplugged. Connect the other end of the wire to the terminals marked "left" on the rear of the receiver/amp, making sure to connect the positive side of the wire to the receiver/amp positive terminal (marked (+) or colored red) and the negative side of the wire to the negative terminal (marked (-) or colored black). Refer to Figure 3. The idea is to make sure that the speaker's positive terminal is connected to the receiver/amp's positive terminal, and the negatives are connected properly as well. Make sure all connections are secure.

F. Repeat Steps D and E for the Part 2 (right) speaker and right receiver/amp side. Make sure all connections are secure.

G. Finally, check carefully to make sure that no loose strands of wire are brushing against the other terminal on either the speaker or receiver/amp. Such "bridged" wires create short circuits which can damage your amplifier. Repair any loose wire strands before plugging in your receiver/amp.

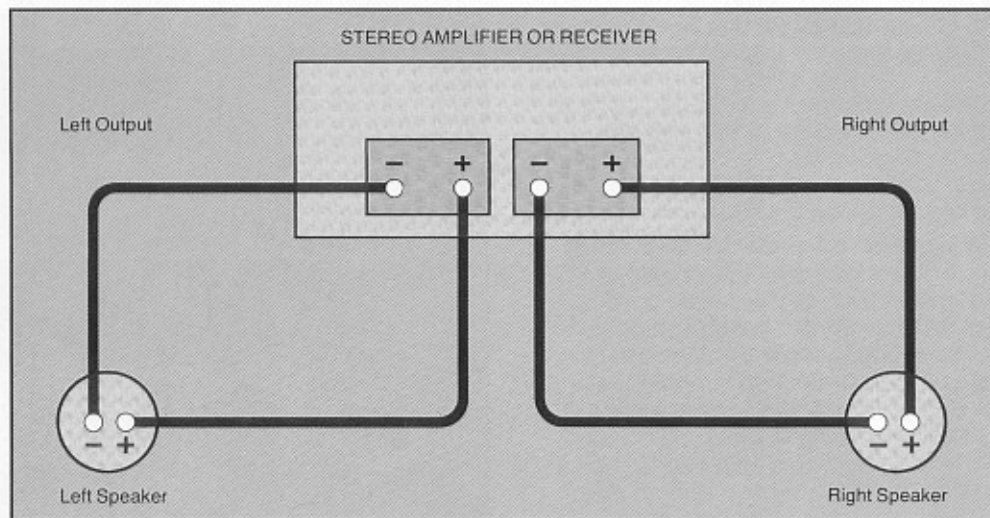


Figure 3. Connecting the speakers to the receiver/amplifier.

H. If you are not sure the speakers are hooked up correctly or "in phase" (positive to positive, negative to negative), try this simple test:

1. Set your receiver/amp to MONO (monophonic or "L + R"). Be sure that the balance control is in the normal or centered position.
2. Move the speakers until they are facing each other closely.

3. Play some music with deep bass. If the speakers are hooked up correctly, the sound will come from a point between the speakers and will have full, natural bass response.
4. If you do not hear much deep bass, shut the receiver/amp off. Then reverse the + and - connections on one speaker only and repeat the test. Use whichever connection produces the most bass.

The Bose® 8.2 Stereo Everywhere™ Speaker System

IV. Using the Bose 8.2 Speaker System

Once set up and connected properly, your speakers will require very little attention. However, observing the following guidelines will help you get the most out of your speaker investment:

A. Fusing

Under normal operating conditions, the Bose 8.2 speaker system does not require auxiliary overload protection devices. This system contains two internal overload protection circuits designed specifically to handle normal overload conditions. However, any speaker may be damaged if the amplifier is driven to distortion.

Fusing will provide additional protection, and is recommended for use with amplifiers that do not have built-in speaker fuses.

1. The fuse is inserted into the speaker circuitry by simply wiring a fuseholder to the + (red) terminal of the speaker. The speaker wire then connects to the holder, putting the fuseholder between the speaker's + (red) terminal and the receiver/amp's + terminal.
2. When the fuse is inserted into the fuseholder, the fusing protection system is complete. A 2-ampere, fast-blow AGC Series or Little Fuse AG series fuse is recommended.

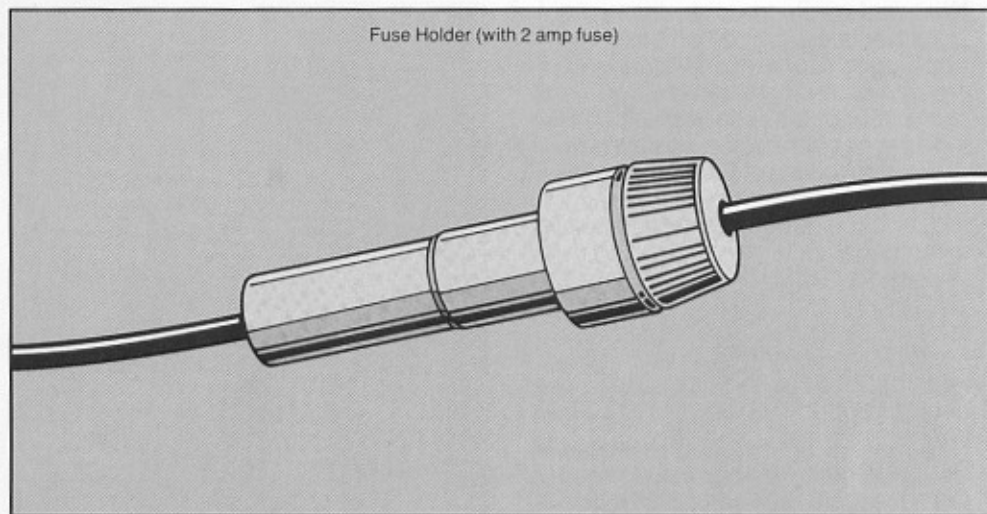


Figure 4. Fusing the speakers. Insert fuse holder between positive speaker wire end and positive speaker terminal.

A fuse kit containing fuses and holders is available from the Bose Customer Service Department, The Mountain, Framingham, Massachusetts 01701, for \$5. Ask for Part No. 108938-2.

B. Room Acoustics

The acoustics of your listening room can affect the overall sound quality of your 8.2 speakers. The following tips will give you some control over the system's sound:

1. Rooms with a lot of sound absorbing furnishings (stuffed furniture, wall-to-wall carpets, heavy drapes, etc.) may reduce the treble sound of your system, making it sound dull. The missing treble can be restored by either removing some of the furnishings, or by slightly turning up the treble control on the receiver/amp.
2. Rooms with few sound absorbing furnishings, especially those with bare floors and walls, may sound overly

shrill or "bright" because of too much treble. Turning down the treble control or adding sound absorbers such as throw carpets or drapes will usually solve this problem.

3. If your system seems to lack bass, try moving the speakers a little closer to the room's corners. If your system has too much bass, move the speakers away from the corners. The rule of thumb is that the closer the speakers are to the intersection of room boundaries (such as the corner, where two walls intersect each other and the floor), the more bass they will produce. By keeping this rule in mind, you can tune your system for your room.
4. Many problems with acoustics can be solved by the judicious use of your tone controls. Remember, though, that the use of these controls may put greater power demands on your receiver/amp. **Excessive tone control use can cause an amplifier or receiver to run out of power and distort, potentially damaging your system.**
5. Outboard signal processors (such as graphic and parametric equalizers) can be used with the Bose® 8.2 speakers if a greater degree of acoustic control is desired. Consult your Bose dealer for advice and recommendations.

C. Maintenance

The cabinet of the 8.2 speaker can be easily cleaned with a damp cloth and, if necessary, a mild detergent such as dish soap. Do not allow liquids to spill through the grille assembly or in any way enter the speaker.

Do not attempt to remove the 8.2 grille.

The grille is **not** user removable. Refer grille removal to qualified service personnel.

Do not clean the 8.2 with any solvents or chemicals.

The grilles may be *carefully* vacuumed if necessary. Please note that the tweeters are located directly behind the grille cloth, and are easily damaged. Avoid applying any pressure with the vacuum nozzle.

V. In Case You Have a Problem

If you experience any difficulty with your 8.2 system, try the following simple test procedures first to determine if the speakers are at fault. The majority of problems actually occur in components other than speakers.

- A. **If one speaker sounds defective** (does not play or plays distorted sound), **shut the receiver/amplifier off.** Disconnect the defective speaker at the amplifier output terminals and reconnect it to the amplifier terminals

that were connected to the non-defective speaker. If the speaker that initially sounded defective now sounds correct, the problem is not in the speaker. Under no circumstances connect the normal sounding speaker to a possibly defective receiver/amp channel or side.

- B. **If both speakers sound defective,** use the *same* wiring to connect them to another receiver/amp known to be working properly. If the speakers now operate correctly, the problem is not in the speakers or wiring.
- C. Check all user-accessible fuses. Replace any fuses that appear to be blown. If the fuses blow again, have the receiver/amp checked by qualified personnel.
- D. **If trouble persists in one or both speakers,** contact your authorized Bose dealer. He will verify any defects and arrange for service by an authorized service agency or by the Bose factory. Bose Corporation will make every effort to remedy any problem within the terms of the warranty at minimum inconvenience to you.

VI. Technical Information

Features

Stereo Everywhere™ Technology
Stereo Targeting™ System
Ducted Port Enclosure System
Automatic System Protection Circuit
Syncom®-II Computerized Quality Control

Driver Complement

One (1) 10" Woofer
Two (2) 3" High-Sensitivity Tweeters

Nominal Impedance

4 ohms

Amplifier Power Requirements

Minimum: 10 watts per channel
Maximum: 120 watts per channel

Cabinet

Dual-chamber design, internally supported

Finish

Vinyl Veneer

Dimensions

33"H (83.8 cm) x 16"W (40.6 cm) x
9 1/4"D (23.5 cm)

Weight

41 lbs. (18.6 kg)

BOSE

Bose Corporation, The Mountain
Framingham, Massachusetts USA 01701
Australia, Belgium, Canada, England,
France, Germany, Greece, Ireland, Italy,
Japan, Netherlands, Spain, Switzerland,
United States.