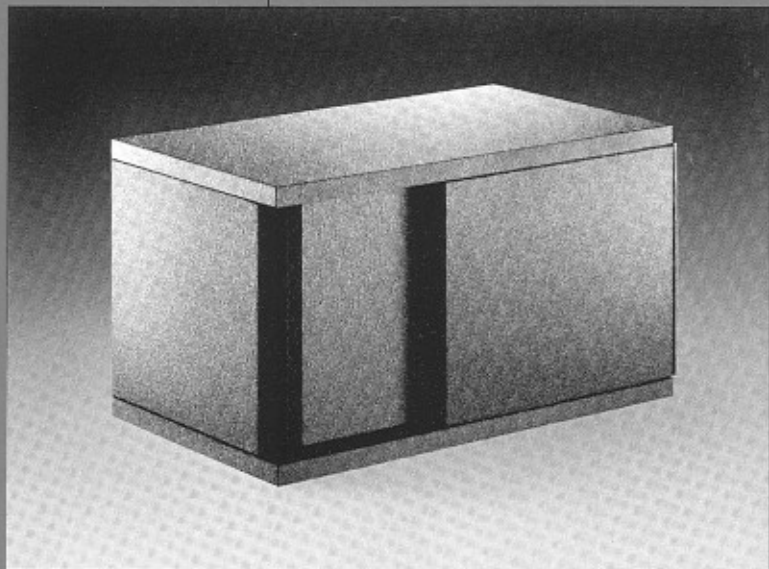


THE
BOSE®
ACOUSTIMASS®
BASS
SYSTEM
OWNER'S
GUIDE



BOSE™

Congratulations on choosing the Bose® Acoustimass® Bass System. This proprietary system is designed to bring all the benefits of patented Bose Acoustimass technology to your Bose bookshelf speaker system.

By adding the Acoustimass Bass System to your bookshelf speakers, you will instantly enhance your system's overall dynamic range capability. You'll enjoy heightened realism and excitement resulting from even deeper, cleaner, more extended bass response – with virtually no distortion. As with all Bose Acoustimass speakers, you can hide your Acoustimass Bass System almost anywhere making it virtually invisible.

We are confident that the System's advanced technology and quality construction will give you many years of trouble-free listening pleasure.

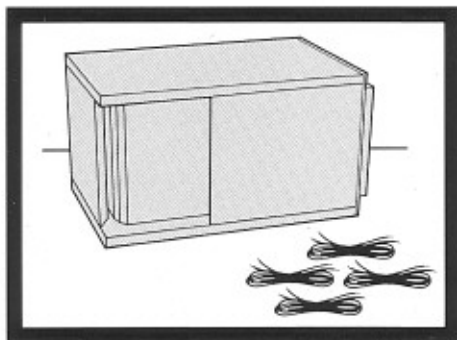


Figure 1

The Bose® Acoustimass® Bass System

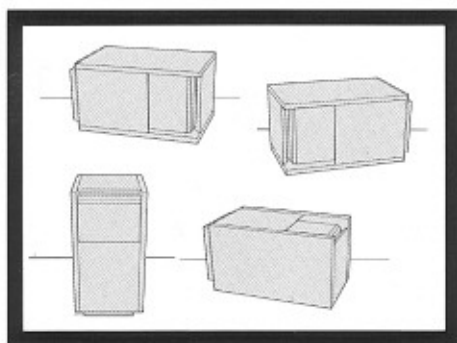


Figure 2

You can place your Acoustimass Bass System in either a vertical or horizontal position, as long as you do not block the slot port opening near the end of the unit.

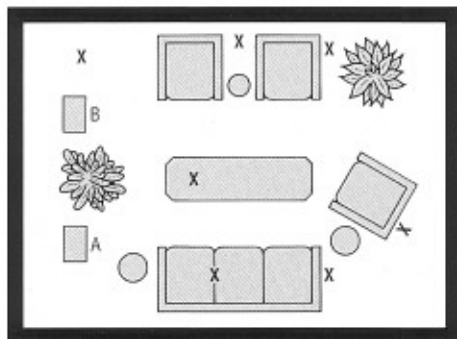


Figure 3

X = some possible locations for the Acoustimass Bass System.
A+B = Left and right bookshelf speakers.

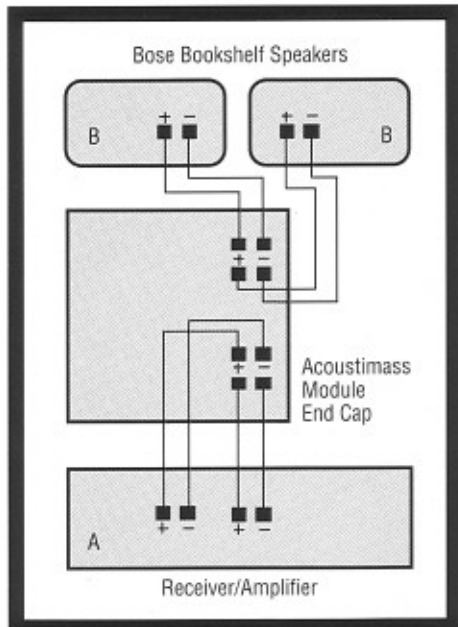


Figure 4

Connecting your Acoustimass Bass System to your (A) amplifier or receiver and your (B) Bose bookshelf speakers.

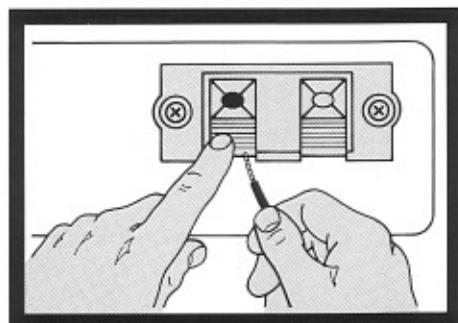


Figure 5

Properly connecting wires to a terminal.

System Compatibility

The unique design of the Acoustimass® Bass System ensures its compatibility with the Bose Freestyle™, 101®, 201® and 2.2® speakers. It should be used only with those specified Bose speakers; use of the Acoustimass Bass System with non-Bose® loudspeakers is not recommended.

Take a Minute

The Acoustimass Bass System's operating principle and wiring configuration are significantly different from other systems such as conventional subwoofers. This not only allows it to provide great sound, but also offers placement flexibility unavailable from conventional speaker systems. **For best results and proper installation, please take the time to read this owner's guide.**

Protect Your System

The Acoustimass speaker technology used in this bass system significantly reduces audible distortion. Therefore, you may be less likely to notice the distinctive sounds of distortion produced when either an amplifier or a speaker is driven beyond its safe operating limits. Please exercise caution when playing your system at high volume levels. See the section entitled "Power Handling" for further information.

Unpacking the Acoustimass Bass System

After opening the carton, remove all packaging material and carefully lift out the bass module. Save the carton and packing material in case the system needs to be transported later. If the module appears damaged, do not attempt to use it. Instead, repack it in its original carton and notify your authorized Bose dealer immediately.

Setting Up Your System

Your system should include:

One Acoustimass Bass System module

Four sets of wires (See Figure 1)

Unlike most bass systems, such as conventional subwoofers, the Bose Acoustimass Bass System offers remarkable freedom of placement. Unique Acoustimass speaker technology delivers room-filling bass from wherever it is placed. You can locate the module wherever you'd like – even under furniture or behind curtains. To achieve optimum bass performance, just follow the suggestions on the following page. For optimum placement of your Bose bookshelf speakers, consult the instructions in the owner's guide of those speakers. Some basic guidelines are listed as well.

Suggestions for Acoustimass® Bass System Placement

You can place your Acoustimass Bass System in either a vertical or horizontal position (See Figure 2). Feel free to hide it under a bed or table, or behind a sofa or curtains. (See Figure 3.) **Just remember not to block the two slot port openings located near the end of the unit!** You should allow at least 2 inches (approximately 5 cm) of open space between these openings and the wall or other surface. Before you finalize placement, you may wish to try the Acoustimass Bass System in several different locations to see where it achieves optimum bass performance in your room.

You can fine-tune the Acoustimass Bass System's bass response without compromising accurate stereo imaging – simply by changing its location. In typical listening environments, placing the system along a wall 3 to 5 feet (approximately 1 to 1.5 meters) away from a corner provides a normal balance of frequencies. Moving the system closer to the walls and/or corners of your room will increase bass response, while moving it toward the center of your room will decrease it. In most rooms, it should be easy to choose a location that is convenient, and provides pleasing bass response.

Positioning your Bose® Bookshelf Speakers

Feel free to place your Bose bookshelf speakers wherever you choose. Just remember that wires must connect them with the Acoustimass Bass System. In average-sized rooms, you'll achieve the best stereophonic effects when you place the left and right bookshelf speakers 6 to 12 feet apart (approximately 1.8-3.6 m). However, you can still achieve excellent results with separation as great as 15 feet (approximately 4.5 m). As previously mentioned, you can place the Acoustimass Bass System wherever you like with respect to your bookshelf speakers. Just remember not to block the ports and to leave at least two inches between the ports and the wall.

Note: While the wires provided are adequate for most installations, you may increase the distance between the bookshelf speakers and the Acoustimass Bass module by splicing in additional wire. If you do, use similar (16 or 18 gauge) or thicker wire. Make sure you maintain the correct phase ("+" to "+" and "-" to "-"). Properly splice and insulate the wires, and refer to the section "Connecting the Acoustimass Bass System to Your Stereo System."

If You're Using Your Acoustimass Bass System with a Video System

Be sure to keep non-shielded Bose bookshelf speakers at least 18 inches away from the TV. Since the Acoustimass Bass System is not magnetically shielded, it should be placed at least three feet away from your TV to avoid adversely affecting picture quality.

Connecting the Acoustimass® Bass System to Your Stereo System

Step 1: Before you start

Caution: Unplug your receiver or amplifier from the wall outlet. If your bookshelf speakers are already hooked up to your receiver or amplifier, disconnect them, too.

A. You will find four identical sets of wires packed with your Acoustimass Bass System. Two sets will connect the Acoustimass Bass System to your receiver or amplifier, the other two will connect your Bose bookshelf speakers to the Acoustimass Bass System.

B. Examine the ends of the wires. In each set, one wire will have a red or other unique marker. For each connection you make, always connect the wire with the red (or other unique) marker to the "+" or red terminal.

Step 2: Connecting your Acoustimass Bass System

C. On your Acoustimass Bass System module, find the left channel terminals located near the bottom on the system's plastic end cap marked "INPUTS FROM AMP OR RECEIVER" (see Figure 4). Depress the red ("+") tab, insert the lead with the red (or unique) marker (see Figure 5), and release the tab. Repeat the process for the black terminal and the other lead.

D. Locate the speaker outputs on your amplifier or receiver. Connect the other ends of the wire from the left channel of the Acoustimass Bass module to the terminals marked "L" or "LEFT." Make sure that the lead with the red (or unique) marker is connected to the "+" and the other lead is connected to the "-" terminal.

E. Repeat steps C and D for the right channel.

Step 3: Connecting your Bose bookshelf speakers.

F. On your Acoustimass Bass System module, find the left channel terminals marked "OUTPUTS TO SPEAKERS" located near the top of the plastic end cap (see Figure 4). Depress the red ("+") tab, insert the lead with the red (or unique) marker, and release the tab. The lead should be held snugly in place by the terminal. Repeat the process for the black terminal and the other lead.

G. Locate the terminals on the rear of the bookshelf speaker to be used for the left side of the room. Connect the other end of the left channel wires from the Acoustimass Bass System to the left bookshelf speaker. Make sure that the lead with the red (or unique) marker is connected to the "+" or red terminal on your bookshelf speaker. Repeat the process for the black terminal and the other lead.

H. Repeat steps F and G for the right channel.

Step 4: Get ready...enjoy!

I. Before you plug in your receiver or amplifier, make sure that no strands of wire from any terminal are brushing against any other terminal. **Such "bridged" wires create short circuits that can damage your receiver or amplifier.**

J. Plug in your receiver, turn on your system, and enjoy your music!

Checking Your System

After your system is playing, you may perform this test to help you make sure that it's working properly:

- A. Turn the balance control on your receiver or amplifier completely to the left. If you have connected the speakers properly, you will hear music from the left speaker, but not the right one.
- B. Next, turn the balance control completely to the right. If your system is connected properly, you will now hear music from the right speaker, but not the left one.
- C. Return the balance control to the center position. Play a selection with good, deep bass, and listen to the music. Now, turn the balance control all the way to the left and listen, and then turn the balance all the way to the right and listen. If the system is connected properly, the center position should exhibit the same or greater bass response than either the left-only or right-only position. If it exhibits less, then your speakers are wired out of phase. Check to make sure that your receiver or amp is properly connected to the Acoustimass Bass System.
- D. Return the balance control to the center position.

If your system does not seem to be working properly, refer to the section entitled "In Case You Have a Problem."

Using Your System Properly

Once your system is set up and connected properly, it will require very little attention. However, observing the following guidelines will help you get the most from your investment.

Power Handling

The Bose® Acoustimass Bass System incorporates a unique protection circuit that automatically reduces the system volume if safe input levels are exceeded. This will automatically reset once the input level is reduced.

This system will guard against most types of potential damage, however, any speaker may be damaged if the amplifier in use fails. This type of damage is not covered by your warranty.

Fusing

To provide your speaker system with additional protection against amplifier failure, we recommend fusing, as follows:

1. Insert a fuse holder "inline" between the "+" terminal of the left input on the Acoustimass Bass System and the "+" terminal of the left output on your receiver or amplifier.
2. Repeat Step 1 for the right channel.
3. Insert fuses into the fuse holders; the fusing protection system is now complete. We recommend that you use a 1.5 ampere, fast-blow AGC Series or Littelfuse AG Series fuse.

Room Acoustics

As with any speaker system, the acoustics (sound properties) of your listening room can affect the overall sound quality of your system. These tips will give you some control over the system's sound:

1. If your system seems to have too little or too much bass (low frequencies), you can move the Acoustimass® module closer to a wall and/or corner to increase bass, or closer to the center of the room to decrease it, as described earlier. You can also adjust the bass by using the bass control on your amplifier or receiver.
2. In general, many problems with acoustics can be solved by speaker placement, or by the judicious use of your tone controls. Remember, though, that the use of these controls (especially when turned all the way up) may put greater power demands on your receiver or amplifier. Excessive tone control use can cause an amplifier or receiver to run out of power and distort, which could potentially damage your system.
3. While they are not recommended, external signal processors (such as graphic and parametric equalizers) can be used with this Acoustimass system, if you desire a greater degree of acoustic control. Consult your Bose® dealer for advice.

Maintenance

You can easily clean your Acoustimass Bass System with a damp cloth and, if necessary, a mild detergent such as dish soap. Do not allow liquids to enter the Acoustimass module.

Do not attempt to clean your system with any solvents or chemicals.

In Case You Have a Problem

If you have a problem connecting and using your Acoustimass® Bass System, try the procedures listed below. Generally speaking, most problems occur in components other than the speakers.

Problem:

The left speaker doesn't play or sounds distorted.

Solution:

Turn off the amplifier or receiver. Check the wiring that connects your bookshelf speakers to the Acoustimass Bass System, and the wiring that connects the module to the amplifier or receiver. If you find no visible problem, disconnect the wires at the back of the amplifier or receiver. Now connect the left wires from the Acoustimass Bass System to the right amplifier terminals. Turn the balance control on the receiver or amplifier completely to the right, and turn the power on. If the left speaker now works properly, the left channel of your amplifier or receiver is probably defective.

CAUTION: Do not connect the other speaker to the channel in question. If the amplifier or receiver channel is defective, damage to your speaker might occur.

Problem:

The right speaker doesn't play, or sounds distorted

Solution:

Use the same procedure as given above for the left speaker, substituting the words "left" for "right" and "right" for "left".

Problem:

The whole speaker system does not play or sounds distorted.

Solution:

Turn off the receiver or amplifier and disconnect the speakers. Reconnect the system to another receiver or amplifier that you know is working properly. If the system now works properly, the problem is not in the speakers.

Note: If this is the case, you should check all accessible fuses on your receiver or amplifier (see the appropriate owner's guide for help). If the fuses blow again, have the amplifier or receiver checked by qualified personnel.

If trouble persists, contact your authorized Bose® dealer. The dealer will verify any defects and arrange for service by an authorized service agency or by the Bose factory. Bose Corporation will make every effort to remedy any problem within the terms of the warranty, at minimum inconvenience to you.

Technical Information

Features

- Acoustimass® speaker technology
- Syncom® computer quality assurance program
- Automatic protection circuitry.

Driver Complement

- One 5 1/4" (13.3 cm) dual voice coil woofer in an Acoustimass enclosure

Nominal Impedance

- 8 ohms

Power Handling

- 50 watts IEC
- Use with receivers or amplifiers from 10-100 watts per channel.
- Compatible with receivers or amplifiers rated from 4-8 ohms.

Finish

- Scratch-resistant black satin finish

Dimensions

- 7 5/8" H x 8" W x 14 1/2" D
(19.3 cm H x 20.3 cm W x 36.8 cm D)

Weight

- 15 (6.8 kg), in shipping carton

BOSE
Better sound through research.

Bose Corporation, The Mountain, Framingham, MA 01701 USA (508) 879-7300

Bose products are distributed worldwide.

©Copyright 1989 Bose Corporation. Covered by patent rights issued and/or pending.

Specifications subject to change without notice.

Bose, Ace, Atmos, and System are registered trademarks of Bose Corporation.

Printed in USA QCR-210 P#127483