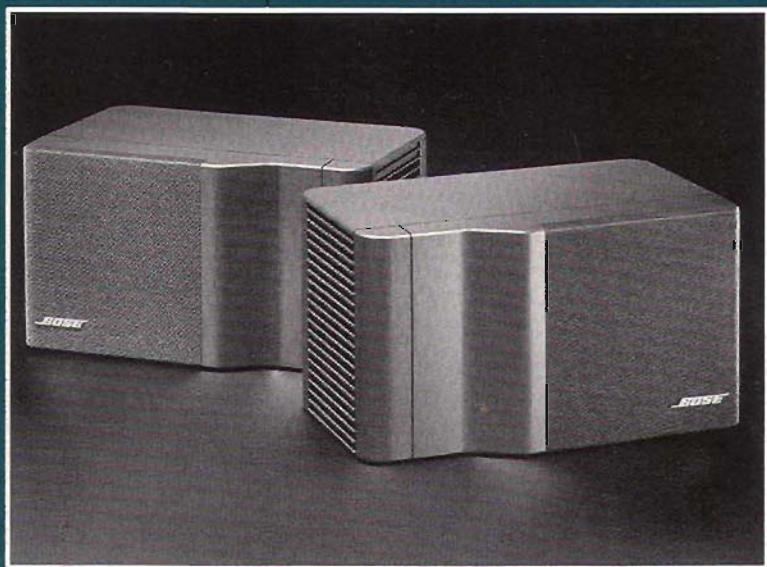


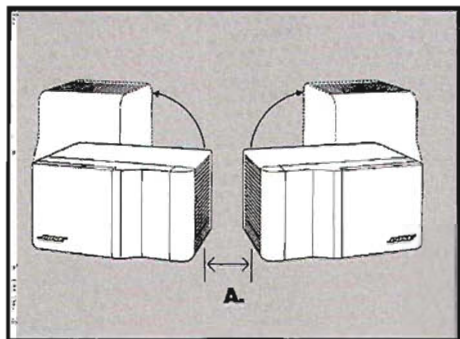
THE
BOSE®
FREESTYLE®
SPEAKER
SYSTEM
OWNER'S
MANUAL



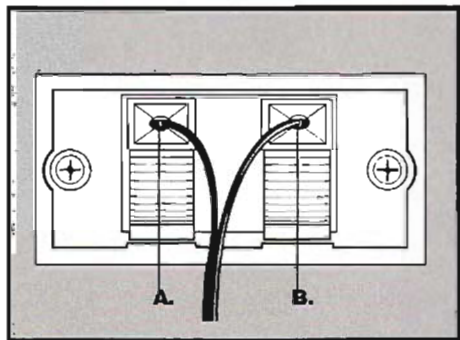
BEDIENUNGSANLEITUNG
NOTICE D'EMPLOI
MANUAL PARA USUARIOS

BOSE®

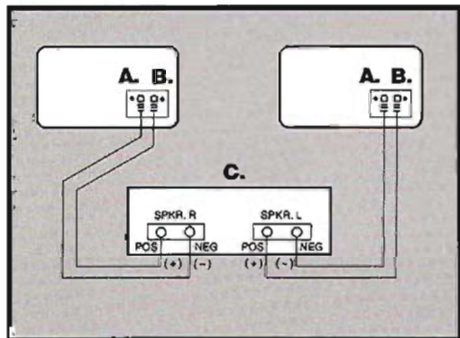
1.



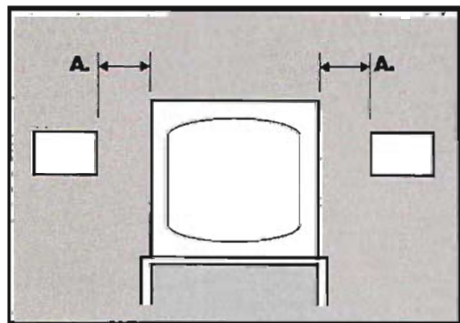
2.



3.



4.



1.

- A. MINIMUM 5 FEET APART
- A. MINDESTABSTAND 1,50 METER
- A. AU MOINS 1,5 A 2 METRES ENTRE LES DEUX
- A. SEPARACION MINIMA DE 1,5M (5 PIES)

2.

- A. BLACK TERMINAL B. RED TERMINAL
- A. SCHWARZER ANSCHLUSS B. ROTER ANSCHLUSS
- A. BORNE NOIRE B. BORNE ROUGE
- A. BORNE NEGRO B. BORNE ROJO

3.

- A. BLACK B. RED
- C. Amplifier or Receiver
- A. SCHWARZ B. ROT
- C. Verstärker oder Receiver
- A. NOIR B. ROUGE
- C. Amplificateur ou récepteur
- A. NEGRO B. ROJO
- C. Amplificador o receptor

4.

- A. 9 inches
- A. 23 cm
- A. 23 cm
- A. 23 cm

We at Bose® would like to thank you for purchasing the Bose Freestyle™ speaker system. With its advanced design and quality construction, the Freestyle system will provide you with years of listening pleasure.

Please take a few minutes to familiarize yourself with your system by reading this owner's guide. The first section tells you how to easily connect your system so you can begin to enjoy it as soon as possible. We've also included more detailed information and instructions on room placement and ways to check your system's performance to ensure the best sound possible from your Freestyle speaker system.

Its unique combination of high performance, small size, and placement flexibility qualify the Freestyle system as a Bose Virtually Invisible® speaker system, designed to satisfy the most discriminating listeners.

Freestyle speakers incorporate some of the most advanced technologies developed at Bose Corporation. At the heart of this system is the Helical Voice Coil driver, the same type of driver used in our 901® Direct/Reflecting® speaker system, known for its accuracy, power handling, and reliability. This new version of the HVC driver is designed especially for the Freestyle system, to provide exceptional power handling and extended high frequency performance. A patented, curved and flared porting system also enables these small speakers to produce low frequencies, once available only from a much larger enclosure.

For normal use, or as rear channel speakers in a Surround Sound home theater system, the Freestyle system may be used with receivers rated from 4 to 8 ohms impedance, with a power rating of 10 to 100 watts per channel.

SUPERB MUSIC IN FIVE EASY STEPS

(See figures on inside front flap.)

1.

Unpack your Freestyle system, saving the carton. You'll find a left and a right speaker (**Figure 1**). You will need to supply two lengths of 18 gauge (or greater) speaker cable (available from your Bose dealer or from hardware/electrical supply stores).

2.

Place the left speaker on the left side of the room and the right speaker on the right side of the room. *Make sure that the ports — the narrower, louvered end of the speaker — face toward each other or face upward* (**Figure 1**).

3.

Strip approximately 1/2 inch of insulation from each end of the two speaker cables. Determine which wire in each cable will be positive and which negative — they will generally be differentiated in one of the following ways; one side will be smooth, the other ribbed; one side will be smooth, the other striped; or one side will be copper, the other silver.

Unplug your receiver or amplifier from the wall outlet. Connect one end of one cable to the left speaker and one end of the second cable to the right speaker as follows (**Figure 2**):

- a. depress the black and red terminal buttons on the back of the speakers;
- b. insert the bare ends of the cable into the terminal (positive wire to the red terminal, negative wire to the black terminal);
- c. release the buttons to secure the cables.

4.

In a similar manner, connect the other ends of the left and right speaker cables respectively to the left and right speaker terminals on the rear of your amplifier or receiver (usually marked "Speaker Left" and "Speaker Right" or "Speaker L" and "Speaker R") as illustrated in **Figure 3**. (If the terminals are not pushbuttons, refer to your amplifier or receiver owner's manual for instructions on how to attach the speaker cables.) Be sure to connect the negative wires to the negative terminals and the positive wires to the positive terminals.

5.

Turn on the music and enjoy your Freestyle® system!

Placing Your Speakers To Get The Best Sound

The Freestyle system is extremely flexible and offers many placement options. **Figure 1** illustrates an effective setup for your Freestyle speaker to provide optimum sound reproduction. If you can, place your speakers at least 5 feet apart. Face the ports toward each other or upward, and be sure not to block the ports (allow at least 1 inch of free space). To get deeper bass, move the speakers closer to the side walls and/or corners, or place the back of the speaker against the rear wall. For less bass, move the speakers away from the walls and corners. (**NOTE: The Freestyle speakers are designed for indoor use only.**)

Using the Freestyle System With Your Home Entertainment System

The Freestyle speakers are ideal for use in a number of home entertainment applications, including TV and video systems, and for providing the rear channel surround sound. To use your Freestyle speakers with a TV set or video monitor, place the speakers at least 9 inches away from the unit (**Figure 4**). Since the speakers are not magnetically shielded, this distance must be maintained so that the speakers do not cause interference with the picture.

Cleaning Instructions

To clean the enclosures of your Freestyle speakers, first turn off your amplifier or receiver. Wipe the cabinets with a cloth dampened with water and then dry them. Do not use any chemicals or household cleaners. Also, never dampen the terminals on the rear of the enclosures or allow liquids to get inside the ports or front grilles. The grilles may be carefully vacuumed, if necessary.

In Case of Difficulty

If you are having one of the following problems with your Freestyle speakers, try the suggested solutions below:

PROBLEM: Only one speaker plays

SOLUTION: One speaker cable is improperly connected. Check the cable and connection (see **Figures 2 and 3**).

SOLUTION: The balance control on your receiver or amplifier needs to be adjusted. Readjust the control.

PROBLEM: Neither speaker plays

SOLUTION: Your receiver or amplifier is set for operation with headphones only. Reset your receiver or amplifier.

SOLUTION: The tape monitor switch on your receiver or amplifier was accidentally left in the on or tape position. Reset the tape monitor switch.

PROBLEM: Weak bass

SOLUTION: Speakers are connected "out of phase." Perform this simple test:

1. Set your sound system (amplifier or receiver) for MONO (monophonic) reproduction. Be sure the balance control is centered or set to normal.
2. Temporarily move the loudspeakers very close to each other, making sure the ports (the louvered grilles) are still facing each other.
3. Play music containing deep bass notes. If your speakers are connected properly, the bass will sound full and natural and will appear to come from a point between the speakers. If the music seems to be lacking in deep bass, reverse the positive and negative connections on one speaker and repeat the test. Use whichever connection produces the more powerful bass.

If you are still having problems in one or both speakers after trying the above solutions, contact your authorized Bose® dealer. He will verify any defect and arrange for service by a factory authorized service agency or by the Bose factory. Bose Corporation will make every effort to remedy any problem within the terms of the warranty, at minimum inconvenience to you.

Accessories

To add to the flexibility of your Freestyle® speakers, a variety of accessories is available, including mounting arms and wall brackets. For details and ordering information, contact your authorized Bose dealer or, within the USA call Bose Corporation at 1-800-444-BOSE. In Canada, from Ontario and Quebec call 1-800-668-1803; from other provinces, 1-800-668-1837.

Specifications

Dimensions: 9.5" x 6" x 5.5" (24.1 x 15.2 x 13.9 cm)

Weight: 9.7 lb (4.4 kg)

Power Rating: For use with amplifiers/receivers rated 10-100 watts per channel

Impedance: 6 ohms (compatible with amplifiers/receivers rated 4-8 ohms)

BOSE
Better sound through research.

© Copyright 1990 Bose Corporation, The Mountain, Framingham, MA
01701-9168 USA (508) 879-7330 FAX (508) 872-6541

Bose products are distributed worldwide.

Covered by patent rights issued and/or pending. Product features and specifications subject to change without notice. Bose, Direct/Reflecting and 901 are registered trademarks, and Freestyle is a trademark of Bose Corporation.

Printed in USA 403950 PN138835

© Copyright 1990 Bose Corporation, The Mountain, Framingham, MA
01701-9168 USA (508) 879-7330 FAX (508) 872-6541

Produkte von Bose werden weltweit vertrieben.

Durch erteilte oder beantragte Patente geschützt. Spezifizierungen können ohne vorherige Bekanntgabe geändert werden. Bose, Direct/Reflecting und 901 sind eingetragene Warenzeichen, und Freestyle ist ein Warenzeichen der Bose Corporation.

Gedruckt in USA 403950 PN138835

© Copyright 1990 Bose Corporation, The Mountain, Framingham, MA
01701-9168 USA (508) 879-7330 FAX (508) 872-6541

Tout droits réservés. Spécifications sujette à changement sans préavis. Couvert par des droits de brevets octroyés ou en instance.

Bose, Direct/Reflecting, and 901 sont des marques déposées et Freestyle est de marque de Bose Corporation. 403950 PN 138835

© Copyright 1990 Bose Corporation, The Mountain, Framingham
01701-9168 USA (508) 879-7330 FAX (508) 872-6541

Los productos de Bose se distribuyen mundialmente

Cubierto por derechos de patente asegurados o en trámite.

Especificaciones de productos sujetas a cambios sin previo aviso. Bose, Direct/Reflecting and 901 son marcas registradas y Freestyle es marca de Bose Corporation.
403950 PN138835