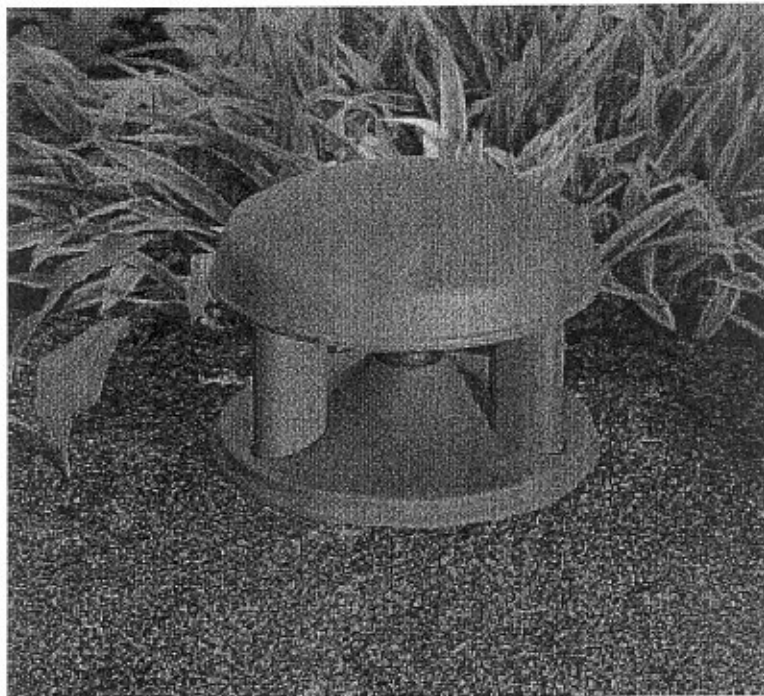


The Bose® FreeSpace® 360P Speakers

Owner's Guide

BOSE®



For your records...

Serial numbers are located on the label on the bottom of each speaker.

Serial numbers: _____ and _____

Dealer name: _____

Dealer phone: _____ Purchase date: _____

We suggest you keep your sales slip and warranty card together with this owner's guide.



DECLARATION OF CONFORMITY

We, the offerer:

Bose® Corporation, The Mountain, Framingham, MA 01701-9168 USA
acknowledge our sole responsibility, that the product:

Kind of equipment: **Loudspeaker**

Type designation: **FreeSpace® 360P loudspeaker**

in accordance with EMC Directive 89/336/EEC and Article 10(1) of the
Directive, is in compliance with the following norm(s) or document(s):

Technical regulations: EN50081-1, EN50082-1

Accredited by:

Bose Corporation, The Mountain, Framingham, MA 01701-9168 USA

February 5, 2001

Bose Products B.V.
Nijverheidstraat 8, 1135 GE Edam
The Netherlands

Nic Merks
Vice President Europe
Manufacturer's authorized EU
representative

Where to find...

Setting Up	
Before you begin	4
Unpacking the carton	4
Tools required	4
Selecting the location for your speakers	5
Choosing the speaker wire	5
Installing Your FreeSpace® 360P Speakers	
Making the connections	6
In-ground installation	8
Concrete or wood installation	9
Product Information	
Technical information	10
Bose® Corporation	inside back cover

Warranty period

Bose® FreeSpace 360P speakers are covered by a limited five-year transferable warranty. Details of coverage are on the warranty card that came with your speakers. Please fill out the information section, detach, and mail it to Bose.

Customer service

For additional help in solving problems, contact Bose Customer Service. See the address page on the inside back cover of this owner's guide for office locations and phone numbers.

Protecting the speaker wire

The bare ends of the speaker cord can be affected by exposure to the elements. This is especially true of saltwater exposure. You may use a silicone caulking material, such as RTV adhesive, to protect the connections. It is commonly available at hardware stores. If you do use caulking, apply it only after the wires are connected. Check the connections annually, and reapply as needed.

Cleaning your speakers

Use a cloth dampened in mild detergent and water to remove dust or dirt from the outside of your FreeSpace® 360P speakers. Or use a hose to rinse them thoroughly with fresh water. Do not use enough pressure to force water into the drivers or the acoustic ports.

Before you begin...

Thank you for purchasing Bose® FreeSpace® 360P speakers. These high-performance outdoor speakers are engineered to provide sound quality far beyond that of other environmental speakers. The 360P speakers are designed to withstand nature's elements – so you can be confident they will perform for years to come.

Unpacking the carton

Carefully unpack your speakers and save all packing materials for possible future use. Check that your system contains the parts identified in Figure 1. Do not attempt to use your speakers if any part of them appears damaged. Instead, notify Bose Corporation or your authorized Bose dealer immediately.

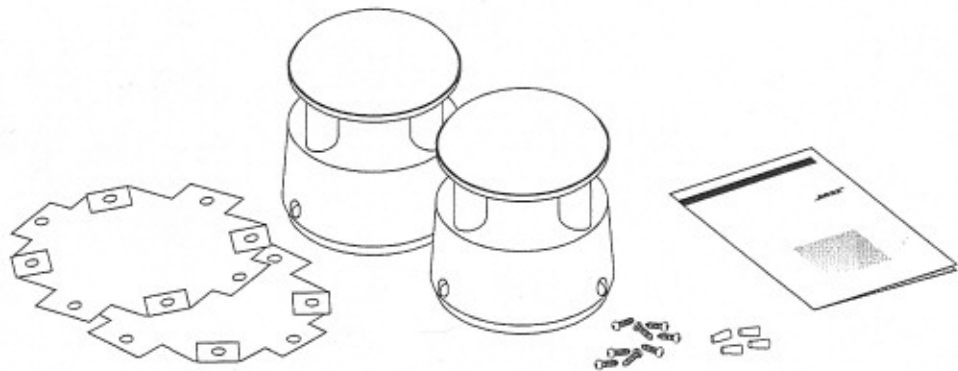


WARNING: To avoid danger of suffocation, keep the plastic bags out of the reach of children.

Figure 1

Packaging contents:

- Two 360P speakers
- Two base plates
- Eight screws
- Four wire nuts
- One owner's guide



Tools required

You need the following items to complete this installation:

- Speaker wire (see "Choosing the speaker wire" on page 5)
- Phillips-head screwdriver (#2)
- Eye protection
- Dust mask



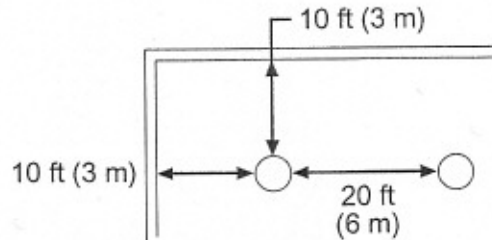
CAUTION: Please read this owner's guide completely before beginning installation. Failure to follow the instructions in this owner's guide voids all warranties on your speakers. If you are unsure of your ability to complete this process, consult a professional installer.

Selecting the location for your speakers

You can install your FreeSpace® 360P speakers directly on the ground or on a wood or concrete surface (see pages 8-9). Before beginning the installation process, decide where you would like to place your speakers based on the diagram below. Also, it is important to install your speakers where the speaker wire will not be tripped over, pinched, or pulled.

Figure 2

Placement of speakers from each other and any surface



Choosing the speaker wire

Please consider the following before installing your speakers:

- Measure the length of speaker wire you need to connect each speaker to your receiver or amplifier.
- If your installation requires the wire to be buried in the ground, use direct-burial rated cable or run the wire through a PVC piping channel. Always use moisture-resistant speaker wire.

Use the proper gauge (thickness) of speaker wire:

Wire gauge	Maximum distance
18	12m (40 ft)
16	18m (60 ft)
14	30m (100 ft)
12	50m (160 ft)

Before you run the speaker wire through a wall or underground, check your local building code requirements, or contact an electrical installer.



Note: Be sure to cut enough wire to reach from the receiver to each speaker.



CAUTION: Before making any connections, turn off your receiver or amplifier and unplug it from the outlet (the AC power mains).

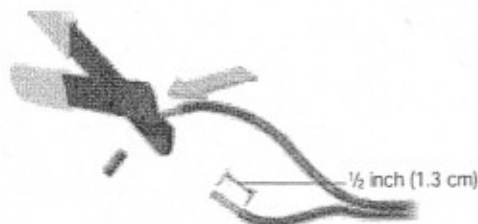
Making the connections

Preparing the speaker wire (not provided)

Speaker wire consists of two insulated wires. The insulation around one wire is striped, collared, or ribbed. This marked wire is positive (+). The plain wire is negative (-). These correspond to the red (+) and black (-) terminals on the back of the speaker, receiver, or amplifier. Be sure to connect each wire to the proper terminal (positive to positive, negative to negative).

Figure 3

Preparing the ends of each wire



At the ends of each cord, strip approximately 1/2 inch (1.3 cm) of insulation from both wires (Figure 3). Next, twist the ends of each wire so there are no loose strands.

Connecting the speaker wire to the speakers

1. Connect the positive (marked) speaker wire to the red wire from the 360P cable. Twist the stripped ends of the wire together.
2. Secure the wire nut by using a twisting motion. If you prefer to reinforce the wire nuts, use electrical tape or a silicon sealer.
3. Connect the negative wire in the same manner as in steps 1 and 2 above.

Connecting the speaker wire to the receiver or amplifier

1. Connect the speakers on the left side of the listening area to the left channel of your receiver or amplifier (Figure 4).
 - a. Attach the marked wire to the red (+) terminal.
 - b. Attach the plain wire to the black (-) terminal.
2. Connect the speaker on the right side of the listening area to the right channel of your receiver or amplifier, in the same manner as in step 1 above.



Note: If your 360P speakers are being connected as a secondary set of speakers to your receiver or amplifier, be sure to make the appropriate connections to the "B" channel.

Figure 4

Connecting the speaker wire at the amplifier



Making the connections (cont.)

Checking the connections

Check the speaker connections carefully. Make sure no loose strands of wire touch across terminals. This could create short circuits that can damage an amplifier or receiver.

Tighten any loose connections before you plug in the receiver or amplifier.

Testing the connections

To make sure your speakers operate correctly, follow these steps:

1. Set the balance control on your receiver or amplifier to normal (centered).
2. Play some deep bass passages of music through the speakers.

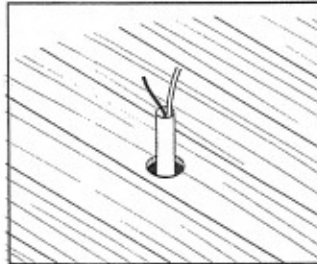
The sound should seem to come from a point between the two speakers. The bass should be full and natural. If not, your connections may be reversed, causing the speakers to play out of phase. To correct the problem, make sure all the wires are connected positive to positive (+ to +) and negative to negative (- to -).

Concrete or wood installation



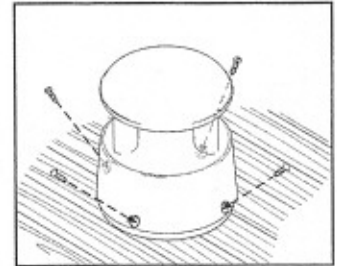
Step 1

Run the conduit or cable through the wood or concrete.



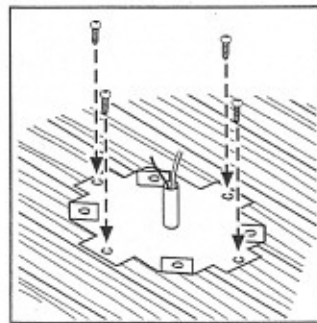
Step 4

Attach the speaker to the base plate.



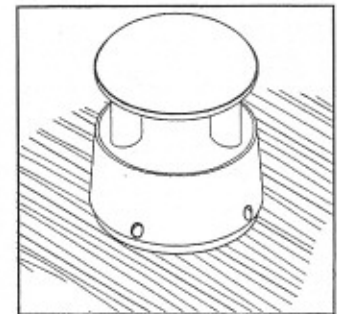
Step 2

Attach the base plate.
(These wood/concrete screws are not supplied by Bose. Use #10 or M4 diameter.)



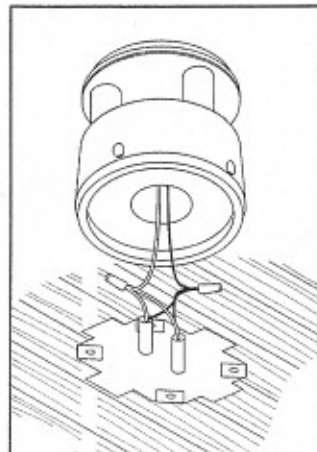
Step 5

Fully installed speaker.



Step 3

Connecting the wire nuts. See "Connecting the speaker wire to the speakers" on page 6.



Technical Information

Driver complement

- One (1) 4.5" environmental driver per speaker

Enclosure

- Rotational molded polyethylene
- Granite green

Dimensions

- 12.6" (32 cm) diameter, 14.2" (36.1 cm) height

Compatibility

- Compatible with amplifiers or receivers rated 4 to 8 ohms
- 25W IEC continuous power handling

Environmental capabilities

Designed to withstand:

- Salt fog, sun, high humidity (100%RH)
- Temperature extremes (-40°F to 158°F; -40°C to 70°C)
- Permanent outdoor installation

Weight

- 12 lb (5.4 kg) each

USA

Bose Corporation, The Mountain
Framingham, MA 01701-9168
1-800-367-4008
Phone hours - ET (eastern time):
Weekdays 8:30 a.m. to 8 p.m.
Saturdays 9 a.m. to 3 p.m.

Canada

Bose Ltd., 1-35 East Beaver Creek Road
Richmond Hill, Ontario L4B 1B3
1-800-465-2673
Phone hours - ET (eastern time):
Weekdays 9 a.m. to 5 p.m.

European Office

Bose Products B.V., Nijverheidstraat 8
1135 GE Edam, Nederland
TEL 0299-390111 FAX 0299-390114

Australia

Bose Pty Limited, 1 Sorrell Street
Parramatta NSW, 2150
TEL 02 9204-6111 FAX 02 9204-6122

Belgique/België

Bose N.V., Limesweg 2, B-3700 Tongeren
TEL 012-390800 FAX 012-390840

Danmark

Bose A/S, Industrivej 7, 2605 Brøndby
TEL 4343-7777 FAX 4343-7818

Deutschland

Bose GmbH, Max-Planck-Straße 36d
D-61381 Friedrichsdorf
TEL 06172-71040 FAX 06172-710419

France

Bose S.A., 6, rue Saint Vincent
78100 Saint Germain en Laye
TEL 01-30616363 FAX 01-30614105

India

Bose Corporation India Private Limited
W-16, Greater Kailash-II
New Delhi 110 048
TEL (011) 648 4462 FAX (011) 648 4463

Ireland

Bose Corporation
Carrickmacross, Co Monaghan
TEL (042) 9661988 FAX (042) 9661998

Italia

Bose S.p.A., Via della Magliana 876
00148 Roma
www.bose.IT
TEL 06-65670802 FAX 06-65680167

Japan

Bose K.K., Shibuya YT Building
28-3 Maruyama-cho
Shibuya-ku, Tokyo 150
TEL 3-5489-0955 FAX 3-5489-0592

Nederland

Bose B.V., Nijverheidstraat 8
1135 GE Edam
TEL 0299-390111 FAX 0299-390109

Norge

Bose A/S, Solheimsgate 11
N-2001, Lillestrøm
TEL 63-817380 FAX 63-810819

Österreich

Bose Ges.m.b.H., Vienna Business Park
Wienerbergstrasse 7 (10.OG)
A-1100 Vienna
TEL 01-60404340 FAX 01-604043423

Schweiz

Bose AG, Rünenbergerstrasse 13
4460-Gelterkinden
TEL 061-9815544 FAX 061-9815502

Sverige

Bose A/S, Johannefröedsgatan 4
S-43153 Mölndal
TEL 31-878850 FAX 31-274891

United Kingdom

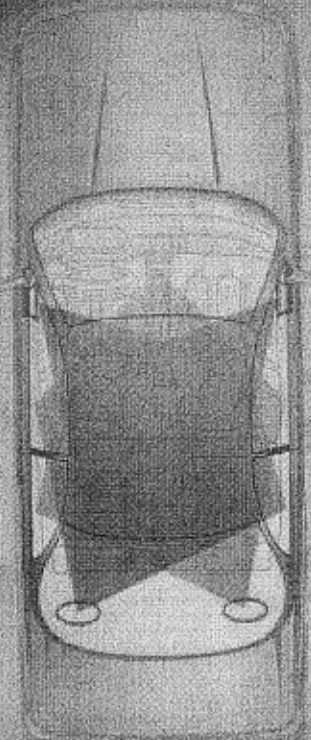
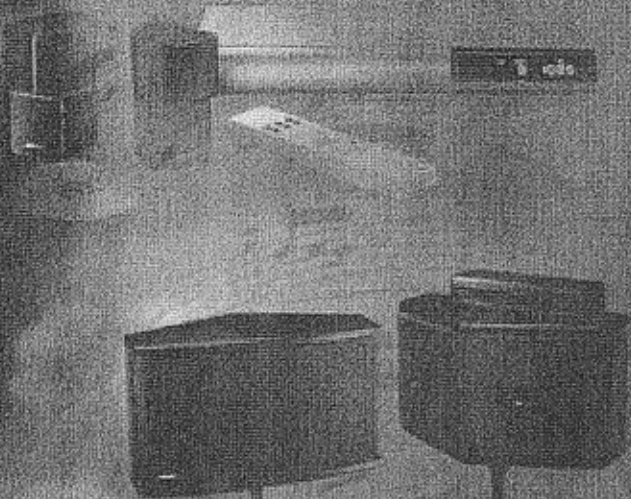
Bose Limited
1 Ambley Green
Gillingham Business Park
Gillingham, Kent ME8 ONJ
TEL 0870-741-4500 FAX 0870-741-4545

From other locations

Bose Customer Service, 1 New York Ave.
Framingham, MA 01701-9168 USA
TEL (508) 766-1900 FAX (508) 766-1919

World Wide Web

www.bose.com



BOSE®
Better sound through research®

© 2001 Bose Corporation, The Mountain
Framingham, MA 01701-9168 USA
259124 AM Rev.01 JNT0865