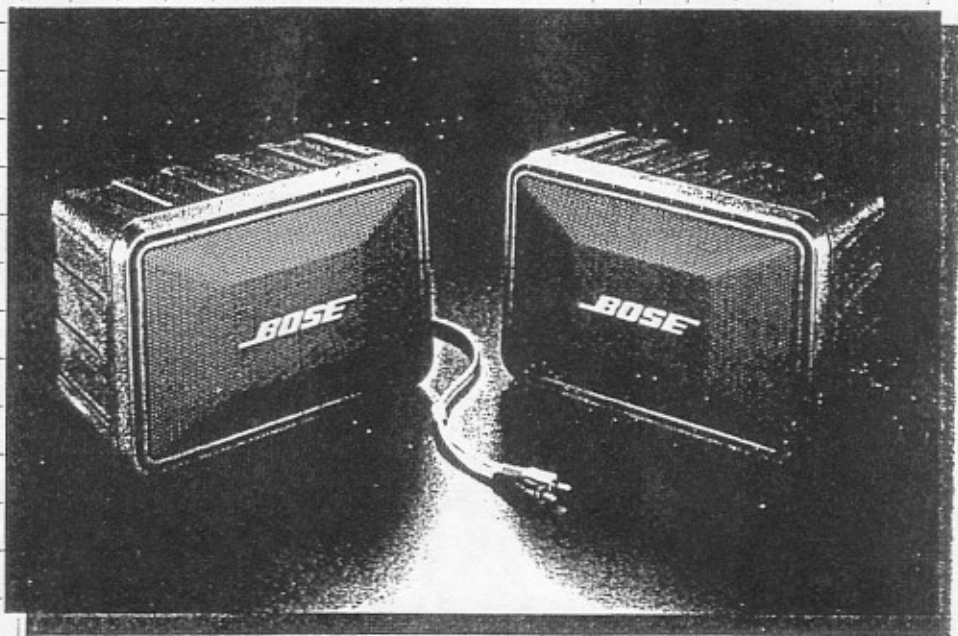


BOSE

**Pro
Roommate**

POWERED SPEAKER SYSTEM

**Pro
RoomMate™
Owner's Guide**



WARNING

To reduce the risk of fire or electric shock, do not expose this system to rain or moisture.

CAUTION

To reduce the risk of shock, do not remove the cover of this system. There are no user-serviceable parts inside. Refer servicing to qualified service personnel.

The CAUTION marks shown on this page are located on the back of your system.



The lightning flash, with arrowhead symbol within an equilateral triangle, is intended to alert the user to the presence of uninsulated "dangerous voltage" within the system enclosure that may be of sufficient magnitude to constitute a risk of electric shock.



The exclamation point within an equilateral triangle as marked on the system is intended to alert the user to the presence of important operating and maintenance instructions in this owner's guide.



CAUTION

RISK OF ELECTRICAL SHOCK - DO NOT OPEN

TO PREVENT ELECTRICAL SHOCK, DO NOT REMOVE COVER. NO USER-SERVICEABLE PARTS INSIDE. REFER SERVICING TO QUALIFIED PERSONNEL.

TO PREVENT FIRE OR SHOCK HAZARD, DO NOT EXPOSE THIS UNIT TO RAIN OR MOISTURE.

AVIS

RISQUE DE CHOC ÉLECTRIQUE - NE PAS OUVRIR

AFIN DE PRÉVENIR UN CHOC ÉLECTRIQUE NE PAS ENLEVER LE COUVERCLE ARRIÈRE. IL NE SE TROUVE À L'INTÉRIEUR AUCUNE PIÈCE POUVANT ÊTRE RÉPARÉE PAR L'USAGER. S'ADRESSER À UN RÉPARATEUR COMPÉTENT.

Warning

Never disassemble any part of your Pro RoomMate™ system. There are no user-serviceable parts inside.

Never connect your Pro RoomMate system to the speaker outputs of a receiver or amplifier, since it could be damaged if connected in this manner.

Important Safety Instructions Before You Begin . . .

To avoid potential problems and hazards, please observe the following:

- 1. Read instructions.** Please read all these safety and operating instructions before you use your Pro RoomMate™ system.
- 2. Retain instructions.** For your convenience, we suggest that you retain these safety and operating instructions for future reference.
- 3. Heed warnings.** Please adhere to all warnings on the Pro RoomMate system and in these operating instructions.
- 4. Follow instructions.** Please follow all operating and use instructions as outlined in this booklet.
- 5. Water and moisture.** Never use your Pro RoomMate system near water—for example, near a bathtub, sink, laundry tub, in a wet basement, near a swimming pool, etc.
- 6. Mounting.** Use only Bose® MMA-2 Mounting Arms to mount the Pro RoomMate speaker. Consult the instructions supplied with the mounting arms and mount your Pro RoomMate system only in the manner recommended by Bose.
- 7. Heat/ventilation.** Avoid placing the system near direct heat sources such as radiators, heat registers, stoves or other appliances (including amplifiers) that produce heat. Avoid placing the system in direct sunlight and make sure it has adequate ventilation.

8. Power sources. The Pro Room-Mate™ system should be connected to a power supply only of the type described in the operating instructions or as marked on the unit.

9. Grounding or polarization. Be sure that you do not connect the Pro RoomMate in such a way that grounding or polarization of the system is defeated.

10. Power cord protection. Route power supply cords so that they will not be walked on, cut or pinched by items placed upon or against them. Pay particular attention to cords at plugs, convenience receptacles and at the point where they connect with the Pro RoomMate system.

11. Non-use periods. When you are not using the Pro RoomMate system, make sure that the volume control is turned all the way down. If the system is not going to be used for any length of time, unplug it from the wall outlet. Always unplug the unit by grasping the plug itself. Never pull the plug out by the cord.

12. Object and liquid entry. Take care that objects do not fall and liquids do not spill into the enclosure of the Pro RoomMate system through the openings.

13. Cleaning/care and maintenance. The Pro RoomMate system requires very little maintenance. Occasional cleaning should be done with a damp cloth WHILE THE SYSTEM IS UNPLUGGED. Never use any chemicals to clean your system, and never allow any liquids to enter the unit's openings.

14. Use with other systems. Do not connect either the POWERED speaker or the ACCESSORY speaker to any other manufacturer's system.

15. Servicing. Never attempt to service the Pro RoomMate system yourself. There are no user-serviceable parts inside. Refer all servicing to qualified personnel.

16. Damage requiring service. Have your Pro RoomMate system serviced by qualified service personnel when any of the following things occur:

- A. The power supply cord or plug has been damaged.
- B. Objects have fallen onto or liquid has spilled into the enclosure.
- C. The Pro RoomMate system has been exposed to rain.
- D. The system does not appear to operate normally or shows a marked change in performance.
- E. The Pro RoomMate system has been dropped or the enclosure damaged.

Thank you for purchasing the Bose® Pro RoomMate™ system. Because the Pro RoomMate system is unique, we recommend that you take time to read this owner's guide thoroughly. It will help you get the most out of your new system.

How to Use Your Pro RoomMate System

Unpacking

After opening the carton, carefully remove the foam packing cradles. Next, remove the packing cradles from each speaker. Save all packing materials for possible future use.

Hooking Up

Before you plug the Pro RoomMate™ system into the wall outlet, make sure that all the following connections have been made properly and that the volume control is turned all the way down.

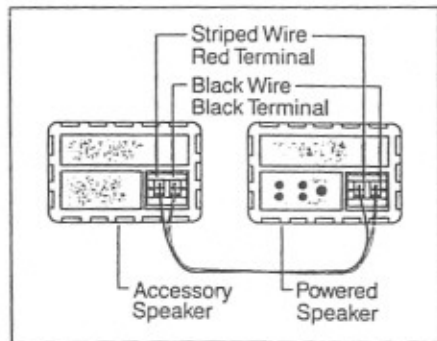


Figure 1

1. Carefully identify the two separate speakers. The LEFT (POWERED) speaker has the AC cord, input connectors, volume control, and speaker terminals located on the back. The RIGHT (COMPANION) speaker has speaker terminals.

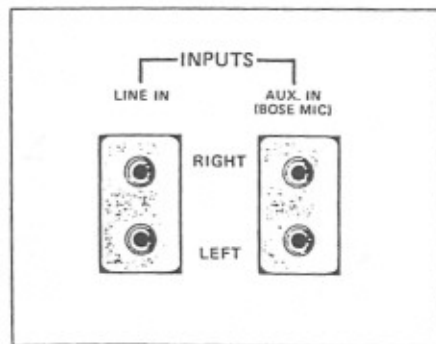


Figure 2

2. Use the enclosed two-conductor speaker wire to connect the terminals on the LEFT speaker with those on the RIGHT speaker (Fig. 1). The conductor with the RED stripe connects to the RED terminal on the back of each speaker. The remain-

ing all-BLACK conductor connects to the BLACK terminal on each speaker.

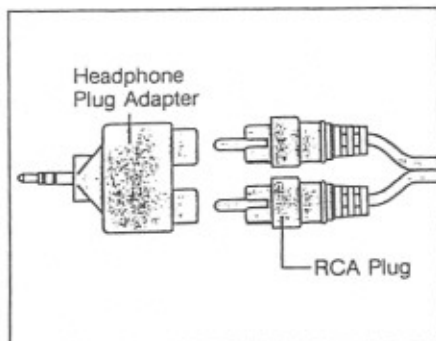


Figure 3

3. Your Pro RoomMate system is designed to accept two separate audio sources simultaneously, such as home recording units, portable keyboards, guitar pre amps, tape decks, mixers and the Bose Power Microphone (See Fig. 2). Connect your audio source to one set of inputs on the POWERED speaker, via the supplied three-foot RCA-to-RCA cable. If you are using the Bose Power™ Mic, use the inputs labelled "AUX. (Bose Power Mic)." Please note that this is the only mic that can be plugged directly into the Pro RoomMate system. If you are not using a mic, any line level source may be connected to either input.

If you want to use the Pro RoomMate system with a source that only has a headphone jack, use the supplied RCA to HEADPHONE PLUG adapter (Fig. 3).

4. Finally, plug the POWERED speaker's AC cord into the wall outlet. The system is now ready for use.

CONTINUED ON BACK PANEL

Limited One-Year Warranty

Bose® Corporation (Bose) warrants this product to be free from defects in material and workmanship for a period of one year from date of purchase, subject to the limitations set forth below:

1. Bose, or its representative, determines that the defect has resulted from improper, unreasonable use or maintenance, accident, or unauthorized tampering, alteration, or modification.
2. The unit's serial number has been removed, altered or made illegible.

During the warranty period, Bose will remedy defects in material and workmanship, without charge for parts and labor, by repair or replacement (at the option of Bose) at the Bose Customer Service Department. Should the product fail within the warranty period, follow the procedure below:

1. Obtain a return authorization number and shipping information from the Bose Customer Service Department: (617) 879-7330. The return authorization number will facilitate repair and return of your product. Units returned without a return authorization number will not be accepted at the factory.
2. Return the unit together with proof of purchase to the address specified by Bose Corporation's Customer Service Department, **FREIGHT PREPAID**, in its original shipping carton. Mark the return authorization number prominently on the outside of the carton. If you need a new carton,

Bose Corporation will provide a free replacement carton. Any damage in transit due to improper packing is not covered by the warranty and will not be recognized as an insurance claim by the transportation companies.

3. Your unit will be repaired and returned to you at the expense of Bose.

UNDER NO CIRCUMSTANCES SHALL BOSE BE LIABLE FOR INCIDENTAL OR CONSEQUENTIAL DAMAGES. THE DURATION OF ALL IMPLIED WARRANTIES, INCLUDING, WITHOUT LIMITATION, ANY WARRANTIES OF FITNESS FOR A PARTICULAR PURPOSE, SHALL BE LIMITED TO THE DURATION OF THE EXPRESS WARRANTY STATED HEREIN.

This warranty gives you specific legal rights, and you may also have other rights which vary from state to state. Some states do not allow the exclusion or limitation of incidental or consequential damages, or limitations on the duration of implied warranties, so that the above limitation may not apply to you.

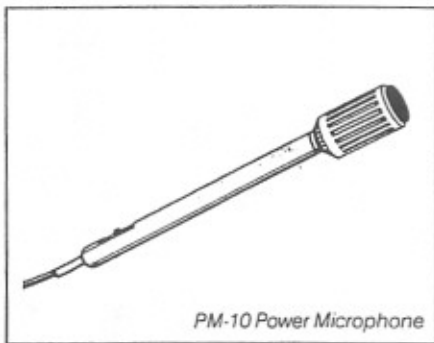
This warranty applies only in the USA, or areas under its jurisdiction. For information on the warranty coverage in your country, please consult the Bose office or authorized distributor nearest you.

A registration card is provided requesting information about you and your use of the Pro RoomMate™ system. Please return it to Bose within ten days of your purchase.

Accessories

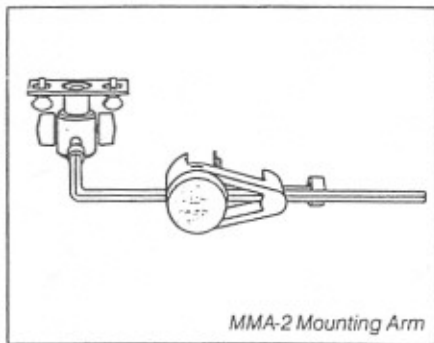
You may obtain Pro RoomMate™ accessories from your dealer or directly from Bose® by contacting:

Bose Corporation
Customer Service Department
(617) 879-7330



PM-10 Power Microphone

PM-10 Power™ Microphone: Plugs directly into the Pro RoomMate™ system. Part No. 130315



MMA-2 Mounting Arm

MMA-2 Mounting Arm: Mounts your Pro RoomMate system to keyboard stands, mic stands or other fixtures. Part No. 125385.



TB-1 Gig Bag

TB-1 Gig Bag: For transporting your Pro RoomMate system and accessories. Part No. 125539.

Adapters: Connect your Pro RoomMate system to additional components.

- RCA jacks to 1/4" mono plug.
 - RCA jacks to 1/4" stereo plug.
- Part No. 125009.
Part No. 128404.

Covered by patent rights issued and/or pending.
© Copyright 1987 Bose Corporation. All rights reserved.
Product features and specifications subject to change without notice.

Australia, Belgium, Canada, England, France, Germany,
Greece, Ireland, Italy, Japan, Netherlands, Spain, Switzerland,
United States.

Bose Corporation
The Mountain
Framingham, MA 01701

BOSE®
Better sound through research.

Operating the System

Properly connected, the BOSE® Pro RoomMate™ system is very easy to use. The volume control lets you adjust the output level of the Pro RoomMate system and is especially useful when the system is connected to components without volume controls.

In Case of Difficulty

Although actual servicing should be referred to qualified personnel, many problems that might occur are more likely to be the result of improper hookup rather than any real defect. If you have any of the following problems, try the suggested solutions before returning your unit.

No sound with system plugged in.

Source component not properly connected to unit. Also, make sure that the source component itself is working properly. Check volume controls.

System doesn't play.

Power cord may be either unplugged or improperly connected. Check cord and connections.

Only one speaker plays.

1. The COMPANION speaker (RIGHT) may be improperly connected. Check connection, wires and terminals.
2. The balance control on the source component might be turned all the way left or right. Check the control. Interchange audio input plugs.
3. The source component may not be stereo. Use a "Y" connector to connect mono signal to both input jacks.

Sound is too loud and/or is distorted.

The source component's volume may be too high. Turn the source volume down and use the volume control on the Pro RoomMate system.

The Bose® Pro RoomMate™ Powered Speaker System

Please retain this Warranty Information Card.

*Record your serial numbers and purchase information on this card,
and retain it in your records along with proof of purchase.*

Date Purchased _____

Serial Numbers (list both) _____

Dealer Name/Address _____

BOSÉ