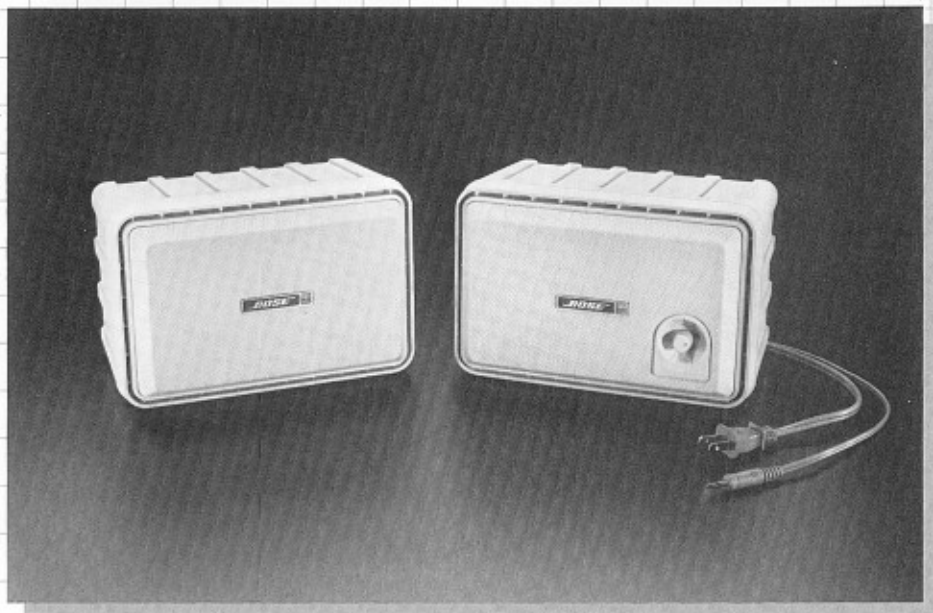


BOSE

Roommate

**RoomMate[®]
Computer Monitor
Owner's Guide**



WARNING

To reduce the risk of fire or electric shock, do not expose this system to rain or moisture.

CAUTION

To reduce the risk of shock, do not remove the cover of this system. There are no user-serviceable parts inside. Refer servicing to qualified service personnel.

The CAUTION marks shown on this page are located on the back of your system.



The lightning flash, with arrowhead symbol within an equilateral triangle, is intended to alert the user to the presence of uninsulated "dangerous voltage" within the system enclosure that may be of sufficient magnitude to constitute a risk of electric shock.



The exclamation point within an equilateral triangle as marked on the system is intended to alert the user to the presence of important operating and maintenance instructions in this owner's guide.



CAUTION

RISK OF ELECTRICAL SHOCK — DO NOT OPEN

TO PREVENT ELECTRICAL SHOCK, DO NOT REMOVE COVER. NO USER-SERVICEABLE PARTS INSIDE. REFER SERVICING TO QUALIFIED PERSONNEL.

TO PREVENT FIRE OR SHOCK HAZARD, DO NOT EXPOSE THIS UNIT TO RAIN OR MOISTURE.

AVIS

RISQUE DE CHOC ÉLECTRIQUE — NE PAS OUVRIR

AFIN DE PRÉVENIR UN CHOC ÉLECTRIQUE NE PAS ENLEVER LE COUVERCLE ARRIÈRE. IL NE SE TROUVE À L'INTÉRIEUR AUCUNE PIÈCE POUVANT ÊTRE RÉPARÉE PAR L'USAGER. S'ADRESSER À UN RÉPARATEUR COMPÉTENT.

Warning

Never disassemble any part of your RoomMate computer monitor. There are no user-serviceable parts inside.

Never connect your RoomMate computer monitor to the speaker outputs of a receiver or amplifier, as it could be damaged if connected in this manner.

Important Safety Instructions Before You Begin...

To avoid potential problems and hazards, please observe the following:

- 1. Read instructions.** Read all of these safety and operating instructions before you use your RoomMate® computer monitor.
- 2. Retain instructions.** Retain these safety and operating instructions for future reference.
- 3. Heed warnings.** Adhere to all warnings on the RoomMate computer monitor and in these operating instructions.
- 4. Follow instructions.** Follow all operating and use instructions as outlined in this guide.
- 5. Water and moisture.** Never use your RoomMate computer monitor near water—for example, near a bathtub, sink, laundry tub, in a wet basement, near a swimming pool, etc.
- 6. Mounting.** Use only Bose® MMA-4 Mounting Arms, WB-11 Wall Brackets, or WC-7 Wall/Ceiling Brackets to mount your RoomMate computer monitor. Consult the instructions supplied with the mounting arms or brackets and mount your RoomMate computer monitor only in the manner recommended by Bose.
- 7. Ventilation.** Be sure to provide adequate ventilation for the LEFT (POWERED) speaker that has the AC (mains) line cord and audio input cables going into it. For example, the LEFT (POWERED) speaker should not be placed in a built-in bookcase or cabinet that may impede the flow of air around the system.

8. Heat. Avoid placing the system near direct heat sources such as radiators, heat registers, stoves, or other appliances (including amplifiers) that produce heat. Avoid placing the system in direct sunlight.

9. Power sources. The RoomMate® computer monitor is available in 120V~ and 220V~ models. Be sure your system is compatible with your AC voltage.

10. Power cord protection. Route the power supply (mains) cord so that it will not be walked on, cut, or pinched by items placed upon or against it. Pay particular attention to the cord at the plug and at the point where it connects with the RoomMate computer monitor.

11. Non-use periods. If the RoomMate® computer monitor is not going to be used for any length of time, unplug it from the wall outlet. Always unplug the unit by grasping the plug itself. Never pull the plug out by the cord.

12. Object and liquid entry. Take care that objects do not fall and liquids do not spill into the enclosure of the RoomMate computer monitor through the openings.

13. Cleaning/care and maintenance. The RoomMate computer monitor requires very little maintenance. Occasional cleaning should be done with a damp cloth WHILE THE SYSTEM IS UNPLUGGED. Never use any chemicals to clean your system, and never allow any liquids to enter the unit's openings.

14. Use with other systems. Do not connect either the POWERED (left) speaker or the ACCESSORY (right) speaker to any other manufacturer's system.

15. Servicing. Never attempt to service the RoomMate computer monitor yourself. There are no user-serviceable parts inside. Refer all servicing to qualified personnel.

16. Damage requiring service. Have your RoomMate computer monitor serviced by qualified service personnel when any of the following things occur:

- The power supply cord or plug has been damaged.
- Objects have fallen onto or liquid has spilled into the enclosure.
- The RoomMate computer monitor has been exposed to rain.
- The system does not appear to operate normally or shows a marked change in performance.
- The RoomMate computer monitor has been dropped or the enclosure damaged.

ATTENTION

This unit is equipped with a polarized alternating current line plug (a plug having one blade wider than the other). This plug will fit into the power outlet only one way. This is a safety feature. If you are unable to insert the plug fully into the outlet, try reversing the plug. If the plug should still fail to fit, contact your electrician to replace your obsolete outlet. Do not defeat the safety purpose of the polarized plug.

Introduction

Thank you for purchasing the Bose® RoomMate® computer monitor. These versatile speakers are designed to provide high fidelity stereo sound from any computer system software package featuring sound. The RoomMate computer monitor is also compatible with all musical keyboards, CD players (home decks and portable models) and VCR's. The speakers are magnetically shielded so that you may place the system near your computer screen.

Because the RoomMate computer monitor is so unique, please take the time to read and follow the instructions

in this owner's guide. They will help you get the most enjoyment from your new system.

1. How to Use Your RoomMate® Computer Monitor

Unpacking

Open the carton and carefully remove the foam packing cradles. Next, remove the packing cradles from each speaker. Save all packing materials, this owner's guide, and the two supplied adapters for possible future use.

The two adapters are supplied for connecting your RoomMate computer monitor to a variety of monophonic and stereo sound sources. The **mono** jack adapter can be identified by the **single black band** on the tip of the adapter plug. The **stereo** jack adapter can be identified by the **two black bands** on the tip of the adapter. Other types of adapters are available at most electronic supply stores which may allow you to connect your RoomMate computer monitor to an even wider variety of devices. See your dealer for additional information.

Hooking Up

Before you plug the RoomMate computer monitor into the wall outlet, make sure that all the following connections have been made properly and that the volume control is turned all the way down.

- Carefully identify the two separate speakers. The **LEFT (POWERED)** speaker has the AC (mains) cord, input connectors, and speaker terminals located on the back. The **RIGHT (ACCESSORY)** speaker has speaker terminals.

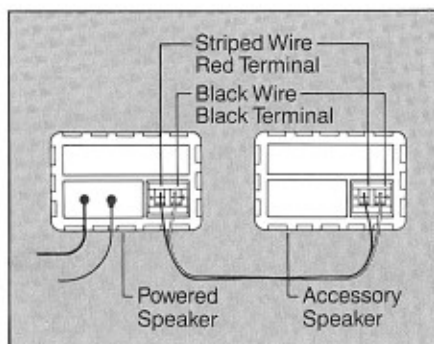


Figure 1

- Use the enclosed two-conductor speaker wire to connect the terminals on the **LEFT** speaker with those on the **RIGHT** speaker (Fig. 1). The conductor with the **RED** stripe should be connected to the **RED** terminal on the back of each speaker. The remaining all-**BLACK** conductor should be connected to the **BLACK** terminal on each speaker. To make the connection at each terminal, simply press the button located at the base of the terminal. This will expose a small opening in the terminal, into which the bare end of the wire should be inserted.

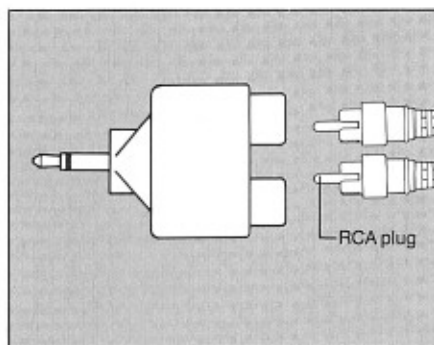


Figure 2

- Connect the speakers to the sound source according to the appropriate instructions below.

Apple® IIGS® or Macintosh® Plus and SE Computers (Fig. 2)

The Apple IIGS and Macintosh computers utilize a **mono** mini headphone jack for audio output. For proper performance, use the supplied **mono** jack adapter. This adapter can be identified by the **single black band** on the tip of the plug. Insert the phono plugs from the powered speaker into the adapter and insert the adapter into the headphone jack of the computer.

Macintosh II Computers (Fig. 2)

The Macintosh II utilizes a **stereo** mini headphone jack for audio output. For proper performance, use the supplied **stereo** jack adapter. This adapter can be identified by the **two black bands** on the tip of the plug. Insert the phono plugs from the powered speaker into the adapter and insert the adapter into the headphone jack of the computer.

Apple CD ROM Drive (Fig. 3)

Insert the phono plugs from the **POWERED** speaker into the **AUDIO** output jacks on the back of the Apple CD ROM drive. The **RED** plug is **RIGHT** and the **BLACK** plug is **LEFT**.

If preferred, you can hook up the RoomMate® computer monitor into the headphone jack on the front of the Apple CD ROM drive by inserting the phono plugs into the supplied adapter and plugging the adapter into the headphone jack.

Musical Keyboards (Fig. 3)

The RoomMate computer monitor may be used with any musical keyboard. Insert the phono plugs from the **POWERED** speaker into the left and right phono outputs on the back of the keyboard. The **RED** plug is **RIGHT** and the **BLACK** plug is **LEFT**.

If the keyboard has only one large headphone output jack, connect the

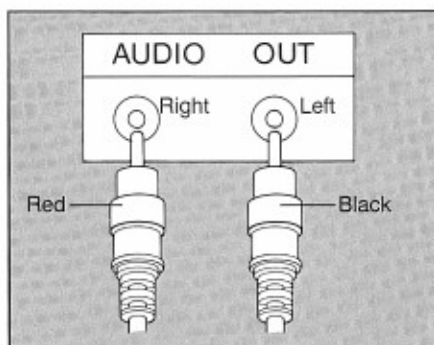


Figure 3

phono plugs from the **POWERED** speaker into a 1/4-inch headphone jack adapter and then hook up to the keyboard. This adapter is not supplied, but is available at most stereo shops.

Compact Disc Players (Fig. 3)

The RoomMate computer monitor may be used with both home and portable compact disc players. Insert the phono plugs from the **POWERED** speaker into the left and right audio outputs of the compact disc player. The **RED** plug is **RIGHT (R)** and the **BLACK** plug is **LEFT (L)**. If the compact disc player has only one headphone output jack, connect the phono plugs from the **POWERED** speaker into an appropriate stereo headphone jack adapter and then hook up to the compact disc player.

VCR's and Televisions (Fig. 3)

Insert the phono plugs from the **POWERED** speaker into the left and right audio outputs of the VCR or television. The **RED** plug is **RIGHT (R)** and the **BLACK** plug is **LEFT (L)**. If the television has only one headphone audio output jack, insert the phono plugs from the **POWERED** speaker into an appropriate headphone jack adapter and then hook up to the television.

CONTINUED ON BACK PANEL

- d. Plug the POWERED speaker's AC cord into the wall outlet. The system is now ready for use.

2. Operating the System

Properly connected, the Bose® RoomMate® computer monitor is very easy to use. Simply follow the instructions below for volume and tone control and speaker placement.

Volume Control: This control lets you adjust the volume of the RoomMate computer monitor and is especially useful when the system is connected to components without volume controls (such as VCR's and disc players). To use, simply turn the control (located on the front of the POWERED speaker) to the RIGHT for increasing volume, and to the LEFT for decreasing volume. If the unit that the RoomMate computer monitor is connected to has a volume control, turn that unit's control up slightly. Then use the volume control on the RoomMate computer monitor to achieve desired volume levels.

NOTE: Make sure that the volume control on the RoomMate computer monitor is turned all the way down when you are not using it. If the system is not going to be used for any length of time, unplug it from the wall outlet.

Adjusting Tone: The RoomMate computer monitor incorporates an optimized, preset equalizer for proper bass and treble balance. This tone setting cannot be adjusted. However, any tone controls on the source unit (such as the tone control on a TV) can be used when the source unit is playing through the RoomMate computer monitor.

Placing the Speakers: Generally, placement close to the monitor screen provides the most realistic sound image. Since the RoomMate computer monitor is magnetically shielded, it can be placed directly next to a screen without causing image interference. The speakers may be placed vertically, if preferred. (You can rotate the Bose logo in its center position; gently remove the grille, release the logo's stickpin, and refasten it through one of the two plastic tabs with a hole.) If longer distances are required between the speakers, simply replace the speaker wire (supplied) with a suitable length of 18-gauge (.75 mm) speaker wire.

3. In Case of Difficulty

Although actual servicing should be referred to qualified personnel, many problems that might occur are more likely to be the result of improper hookup rather than any real defect. If you have any of the following problems, try the suggested solutions before returning your unit.

No sound with system plugged in.

Source component (computer, keyboard, VCR, etc.) is not properly connected to the unit. Also, make sure that the source component itself is working properly (batteries are OK, tape has something on it, etc.). Check volume control if available on source component to make sure RoomMate® computer monitor is getting a signal.

System doesn't play.

Power cord may be either unplugged or improperly connected. Check cord and connections.

Only one speaker plays.

1. The **ACCESSORY SPEAKER (RIGHT)** may be improperly connected. Check connection, wires, and terminals.
2. The balance control on the source component might be turned all the way left or right. Check the control.
3. The source component is only mono. Connect a "Y" connector adapter, and plug the RoomMate computer monitor back in.

Sound is too loud and/or is distorted.

The source component's volume may be too high. Turn the source volume down, and use the volume control on the RoomMate computer monitor.

4. Accessories

Accessories are available from:

Bose® Corporation
Technical Service & Parts Department
78 Turnpike Road
Westboro, MA 01581-1730
(508) 366-9896

WB-11 Wall Bracket: Mounts your RoomMate® computer monitor system directly against a wall or other surface.

Black Part No. 137774.

White Part No. 137777.

MMA-4 Mounting Arm: Mounts your RoomMate computer monitor above a desk, shelf, or table. Part No. 132210.

WC-7 Wall/Ceiling Mounting

Brackets: For adjustable mounting of your RoomMate computer monitor on a wall or from a ceiling.

Black Part No. 137771.

White Part No. 137772.

Please Note: The RoomMate computer monitor should be mounted only in the manner recommended by Bose® Corporation. Consult the instructions supplied with mounting accessories.

Stereo RCA to 3.5mm Headphone

Plug: For using your RoomMate computer monitor with stereo sources.

Part No. 128404. For use with mono sources. Part No. 136363.

Bose Product Limited Warranty

What is covered: All parts defective in material or workmanship.

For how long: One year from the purchase date.

What we will do: We will repair or replace, at our sole option, free of charge, any defective parts.

What we will not do: Pay shipping or transportation charges from you to us.

What you must do:

1. Return product with original proof of purchase to your authorized BOSE dealer, or
2. Return product with proof of purchase to the nearest authorized BOSE Service Agency, or
3. Return product with proof of purchase directly to the BOSE factory. If you elect to return the product directly to the BOSE factory,
 - a. Call BOSE Technical Service and Parts at (508) 366-9896, and ask to be assigned a **return authorization number** and shipping instructions;

- b. Pack the product in the original carton for shipping. If you need a new carton, contact either your BOSE dealer or BOSE Corporation for a new carton available at nominal charge;
- c. Label and ship, freight prepaid, to the address provided by Technical Service and Parts, and
- d. Place your return authorization number prominently on the outside of the carton. (Cartons not bearing a return authorization number will be refused.)

Other conditions: This warranty is fully transferable provided the current owner furnishes the original proof of purchase. ANY IMPLIED WARRANTIES EXPIRE AT THE EXPIRATION DATE OF THIS WARRANTY. WE SHALL NOT BE LIABLE FOR INCIDENTAL OR CONSEQUENTIAL DAMAGES. This warranty does not cover a defect that has resulted from improper or unreasonable use or maintenance, accident, or unauthorized tampering, alteration or modification as determined solely by us. This warranty is void if the label bearing the serial number has been removed or defaced.

State Law Rights: This warranty gives you specific legal rights, and you may also have other rights which vary from state to state. Some states do not allow the exclusion or limitation of incidental or consequential damages, so the above limitation or exclusion may not apply to you.

This warranty applies only in the USA, its territories and possessions, and to sales at overseas military post exchanges. For information on the warranty coverage in your country, please consult the Bose office or authorized distributor nearest you.

A registration card is provided requesting information about you and your use of the RoomMate® computer monitor. Please return it to Bose within ten days of your purchase.

Bose Corporation, The Mountain, Framingham, MA 01701-9168
USA (508) 879-7330

Bose products are distributed worldwide.

© Copyright 1989 Bose Corporation. Specifications subject to change without notice. Covered by patent rights issued and/or pending.

Bose and RoomMate are registered trademarks of Bose Corporation.

Apple, Apple IIgs, and Macintosh are registered trademarks of Apple Computer, Inc.

Bose Corporation
The Mountain
Framingham, MA 01701-9168

BOSE®
Better sound through research.