

**BOSE**

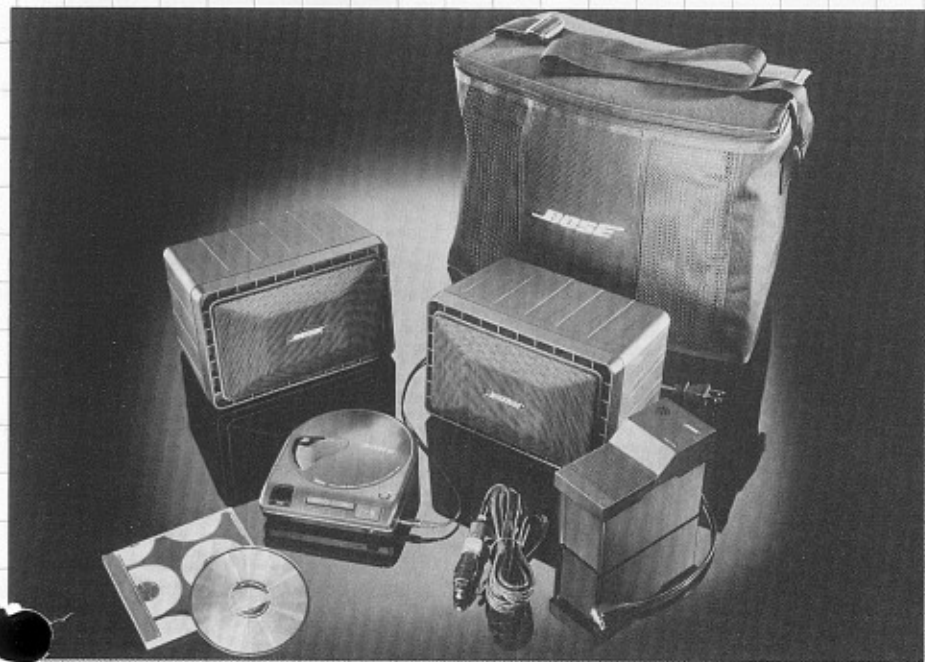
# Roommate II

POWERED SPEAKER SYSTEM

## RoomMate II

## Powered Speaker System

## Owner's Guide



Thank you for purchasing the Bose RoomMate® II portable powered speaker system. Now with AC/DC compatibility and new optional accessories for greater portability, the RoomMate II system can go anywhere you want to go to provide you with full, clear stereo sound. So that you can fully enjoy your new system, we recommend that you take the time to read this owner's guide thoroughly.

## WARNING

To reduce the risk of fire or electric shock, do not expose this system to rain or moisture.

## CAUTION

To reduce the risk of shock, do not remove the cover of this system. There are no user-serviceable parts inside. Refer servicing to qualified service personnel.

The CAUTION marks shown on this page are located on the back of your system.



The lightning flash, with arrowhead symbol within an equilateral triangle, is intended to alert the user to the presence of uninsulated "dangerous voltage" within the system enclosure that may be of sufficient magnitude to constitute a risk of electric shock.



The exclamation point within an equilateral triangle, as marked on the system, is intended to alert the user to the presence of important operating and maintenance instructions in this owner's guide.

### CAUTION

RISK OF ELECTRICAL SHOCK—DO NOT OPEN

TO PREVENT ELECTRICAL SHOCK, DO NOT REMOVE COVER. NO USER-SERVICEABLE PARTS INSIDE. REFER SERVICING TO QUALIFIED PERSONNEL.

TO PREVENT FIRE OR SHOCK HAZARD, DO NOT EXPOSE THIS UNIT TO RAIN OR MOISTURE.

### AVIS

RISQUE DE CHOC ÉLECTRIQUE—NE PAS OUVRIR

AFIN DE PRÉVENIR UN CHOC ÉLECTRIQUE NE PAS BILÉVER LE COUVERCLE ARRIÈRE. IL NE SE TROUVE À L'INTÉRIEUR AUCUNE PIÈCE POUVANT ÊTRE RÉPARÉE PAR L'USAGER. S'ADRESSER À UN RÉPARATEUR COMPÉTENT.

## Warning

Never disassemble any part of your RoomMate II system. There are no user-serviceable parts inside.

Never connect your RoomMate II system to the speaker outputs of a receiver or amplifier, since it could be damaged if connected in this manner.

## Important Safety Instructions Before You Begin...

To avoid potential problems and hazards, please observe the following.

**1. Read instructions.** Read all of these safety and operating instructions before you use your RoomMate® II system.

**2. Retain instructions.** Retain these safety and operating instructions for future reference.

**3. Heed warnings.** Adhere to all warnings on the RoomMate II system and in these operating instructions.

**4. Follow instructions.** Follow all operating and use instructions as outlined in this guide.

**5. Water and moisture.** Never use your RoomMate II system near water – for example, near a bathtub, sink, laundry tub, in a wet basement, near a swimming pool, etc.

**6. Mounting.** Use only Bose® MMA-4 Mounting Arms to mount your RoomMate II system. Consult the instructions supplied with the mounting arms and mount your RoomMate II system only in the manner recommended by Bose.

**7. Ventilation.** Be sure to provide adequate ventilation for the LEFT (POWERED) speaker that has the AC (mains) line cord and audio input cables going into it. For example, the LEFT (POWERED) speaker should not be placed in a built-in bookcase or cabinet that may impede the flow of air around the system.

**8. Heat.** Avoid placing the system near direct heat sources such as radiators, heat registers, stoves, or other appliances (including amplifiers) that

produce heat. Avoid placing the system in direct sunlight.

**9. Power sources.** The RoomMate II system is available for connection to AC lines (mains) of various voltages. If your unit has a line voltage selector switch on the back, make sure the selector is in the correct setting, e.g. set to 115V for U.S. and 230V for Europe.

The RoomMate II can also be connected to 12V DC voltage sources such as the rechargeable Bose PC-1 powercase battery designed for use with this system, as well as automotive or marine power sources. Observe the +, - connections to the source. Note: For portable applications, the RoomMate II system should be used only with the Bose PC-1 powercase.

**10. Power cord protection.** Route the power supply (mains) cord so that it will not be walked on, cut, or pinched by items placed upon or against it. Pay particular attention to cord at plug, and at the point where it connects with the RoomMate II system.

**11. Non-use periods.** If the RoomMate II system is not going to be used for any length of time, unplug it from the wall outlet. Always unplug the unit by grasping the plug itself. Never pull the plug out by the cord.

Also, if the system is connected to the battery or other DC power source and is not going to be used for several hours or more, unplug the system from the DC power source.

**12. Object and liquid entry.** Take care that objects do not fall and liquids do not spill into the enclosure of the RoomMate II system through the openings.

**13. Cleaning/care and maintenance.** The RoomMate II system requires very little maintenance. Occasional cleaning should be done with a damp cloth WHILE THE SYSTEM IS UNPLUGGED. Never use any chemicals to clean your system, and never allow any liquids to enter the unit's openings.

**14. Use with other systems.** Do not connect either the POWERED speaker or the COMPANION speaker to any other manufacturer's system.

**15. Servicing.** Never attempt to service the RoomMate II system yourself. There are no user serviceable parts inside. Refer all servicing to qualified personnel.

**16. Damage requiring service.** Have your RoomMate II system serviced by qualified service personnel when any of the following occur:

- A. The power supply cord or plug has been damaged.
- B. Objects have fallen onto or liquid has spilled into the enclosure.
- C. The RoomMate II system has been exposed to rain.
- D. The system does not appear to operate normally or shows a marked change in performance.
- E. The RoomMate II system has been dropped or the enclosure damaged.

---

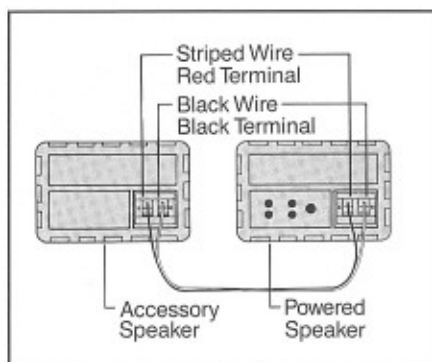
#### ATTENTION

This unit is equipped with a polarized alternating current line plug (a plug having one blade wider than the other). This plug will fit into the power outlet only one way. This is a safety feature. If you are unable to insert the plug fully into the outlet, try reversing the plug. If the plug should still fail to fit, contact your electrician to replace your obsolete outlet. Do not defeat the safety purpose of the polarized plug.

## How to Use Your RoomMate II System

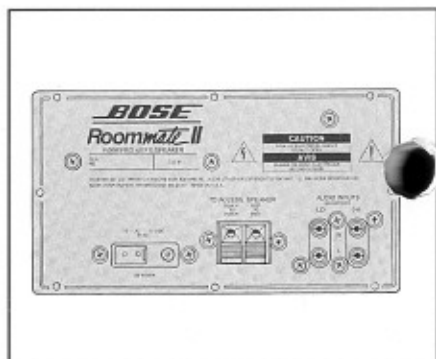
### Hooking up

Before you plug the RoomMate II system into your wall outlet (AC mains) or your battery power supply (DC), make sure that the following connections have been made properly and that the volume control on your audio source (personal stereo, CD player, keyboard, etc.) is turned all the way down.



- A.** Carefully identify the two separate speakers. The LEFT (POWERED) speaker has the AC (wall current or mains) and DC battery input jacks, auxiliary input connectors, and speaker terminals located on the back. The RIGHT (COMPANION) speaker has speaker terminals.

Use the enclosed two-conductor speaker wire to connect the terminals on the LEFT speaker with those on the RIGHT speaker. The conductor with the RED stripe should be connected to the RED terminal on the back of each speaker. The remaining all-BLACK conductor should be connected to the BLACK terminal on each speaker.



- B.** For AC (mains) power use, attach the enclosed line (mains) cord to the AC jack on the LEFT (POWERED) speaker and set the voltage selector switch (if applicable) to the correct AC voltage. Use the 115V setting for North and Central America and the Caribbean, or the 230V setting for Europe, UK, Ireland, and Australia; and 100V in Japan.

Insert the AC power (mains) cord plug into your wall outlet.

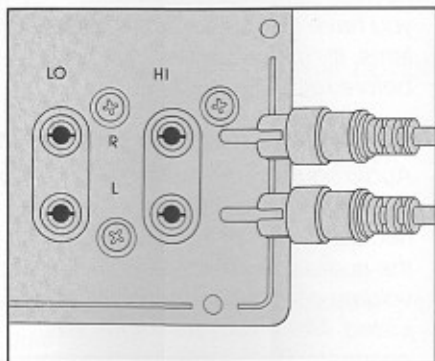
- C. For portable DC power supply, plug the cord from the Bose PC-1 powercase battery into the DC input jack on the LEFT (POWERED) speaker. Make sure the AC (mains) cord is disconnected.

**Note:** Do not use any battery power supply other than the Bose PC-1 powercase. Be sure to follow all instructions and observe all safety precautions printed in the PC-1 Powercase Owner's Guide. Disconnect the system from the battery if it will not be used for any length of time. Replace the battery only with a battery of this same type. See the Accessories section to learn how to obtain the Bose PC-1 powercase as an optional accessory.

- D. To use an automotive or marine power supply, the optional Car Adapter (Part #139992) is required. Plug one end of the adapter cord into the DC input jack on the LEFT (POWERED) speaker, then plug the adapter into the cigarette lighter socket of your car, boat, or recreational vehicle. See the Accessories section to learn how to obtain the Car Adapter as an optional accessory.

- E. Your RoomMate® II system is designed to accept any (unamplified) audio source with a volume control. As marked on the system's backplate, the four input jacks include two for low level input (to be used with pocket stereo type source with a small

voltage output, designed for headphones), and two of high level input (for use with preamp or line out equipment, such as keyboards and CD players without headphones). Connect your audio source to the correct set of



auxiliary inputs on the POWERED speaker, via the supplied six-foot cable with dual RCA plugs going into the system, and the 3.5mm, connector into your audio source.

- F. Your RoomMate II system is now ready for use.

### Operating the System

Properly connected, the Bose® RoomMate II system is very easy to use. Be sure that it is connected to an audio source with a volume control that will let you adjust the output level of your RoomMate II system. **It is important that the connection to a CD player, personal stereo, keyboard, etc. be made via its headphone/earphone jack.**

### Warranty Period

The Bose® RoomMate II powered speaker system is covered by a limited one-year transferable warranty.

## In Case of Difficulty

Although actual servicing should be referred to qualified personnel, any of the problems that could occur will most probably result from improper hookup rather than any real defect. If you have any of the following problems, try the suggested solutions before returning your unit.

### **No sound with system plugged in.**

Audio source component (CD player, personal stereo) not properly connected to unit. Also, make sure that the audio source itself is working and volume controls are properly adjusted. Make sure your source is connected to the correct impedance level.

### **System doesn't play.**

Power cord may be either unplugged or improperly connected. Battery may need recharging. Check cord and connections. Recharge battery.

### **Only one speaker plays.**

1. The COMPANION speaker (RIGHT) may be improperly connected. Check connections, wires, and terminals.
2. The balance control on the audio source may be turned all the way left or right. Check the control. Interchange audio input plugs.
3. The audio source may not be stereo. Use the "mono" adapter provided with your RoomMate® II system to connect the mono signal to both input jacks.

### **Sound is too loud and/or is distorted.**

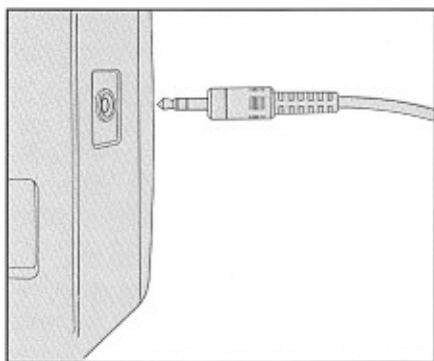
The audio source volume may be too high. Turn the source volume down.

## RoomMate II System Components

The RoomMate II system, designed to deliver true high fidelity sound from virtually any (unamplified) stereo or mono audio source, through use of either AC (wall current) or DC (battery) power supply, consists of the following:

Two (2) fully amplified and equalized compact black speakers of rugged construction.

One (1) removable power line (mains) cord, suitable for use with various AC power line (mains) sources. These include 120V for use in U.S., Central and N. America, and the Caribbean; 115/230V sold in military store outlets; 220-240V for use in Europe and the U.K., Ireland, and Australia; and 100V for use in Japan.



One (1) six-foot cable with dual RCA plugs and a 3.5mm connector that will fit most portable CD or tape players, personal stereos, and keyboards.

One (1) mono adapter for connecting the system to a mono audio source.

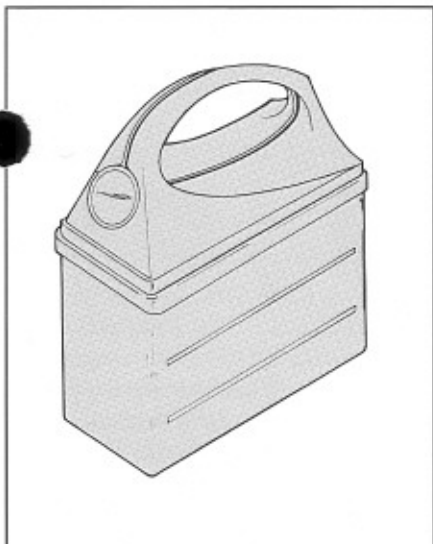


## **RoomMate® II System Accessories**

You may obtain the following Room-Mate II system accessories from your dealer or directly from Bose® by contacting:

Bose Corporation

1-800-444-2673

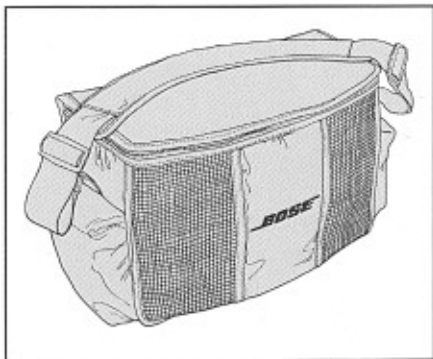


### **The Bose PC-1 Powercase (Part #135605)**

Comes complete with the Bose battery pack, charger, travel bag and car adapter.

- battery pack provides 12 hours of continuous play at full volume on an overnight charge
- play in the bag feature provides ultimate portability
- car adapter allows mobile use in car, recreational vehicle, or boat

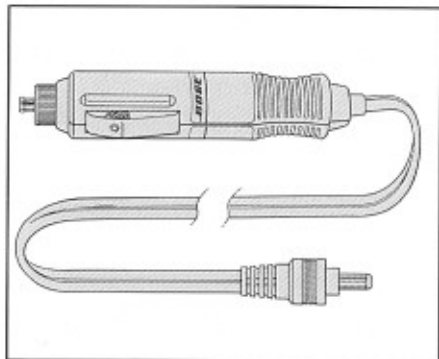
**NOTE:** The Bose PC-1 battery is designed specifically for the Bose RoomMate II system and should not be used for any other purpose. Do not attempt to use any other battery or charger with the RoomMate II system.



### **The Bose TB-II Travel Bag (Part #134899)**

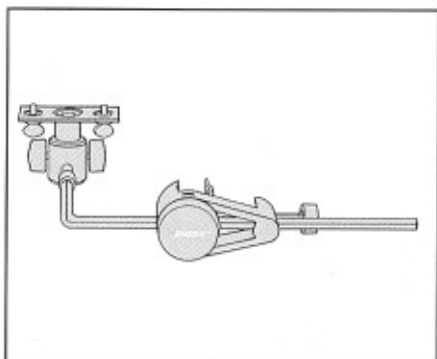
Made of protective, heavy weight cordura nylon, the TB-II travel bag is the same basic unit as the powercase, but does not include the power supply options. This is the perfect choice for the person who needs basic transportation for the RoomMate II system from home to office, hotel room, or vacation spot.

**NOTE:** While the travel bag is weather resistant, it will not provide full protection from water; do not leave the system in the rain, or other places where it may get wet.



**The Bose Car Adapter  
(Part #139992)**

You can plug your RoomMate II system into a car, boat or recreational vehicles' cigarette lighter socket using the optional Bose 12V to 15V adapter.



**The Bose MMA-4 Mounting Arms  
(Part #132210)**

MMA-4 mounting arms allow you to place the RoomMate II system exactly where you want it. The mounting arms have mar-resistant pads to protect your furniture, and can be used both horizontally and vertically.

**NOTE:** Do not use substitute arms unless they are specifically designed for this system.

**BOSE**<sup>®</sup>  
Better sound through research.

© 1992 Bose Corporation, The Mountain, Framingham,  
MA 01709-9168 USA  
508-879-7330 FAX 508-872-6541

PN135487 Rev 3